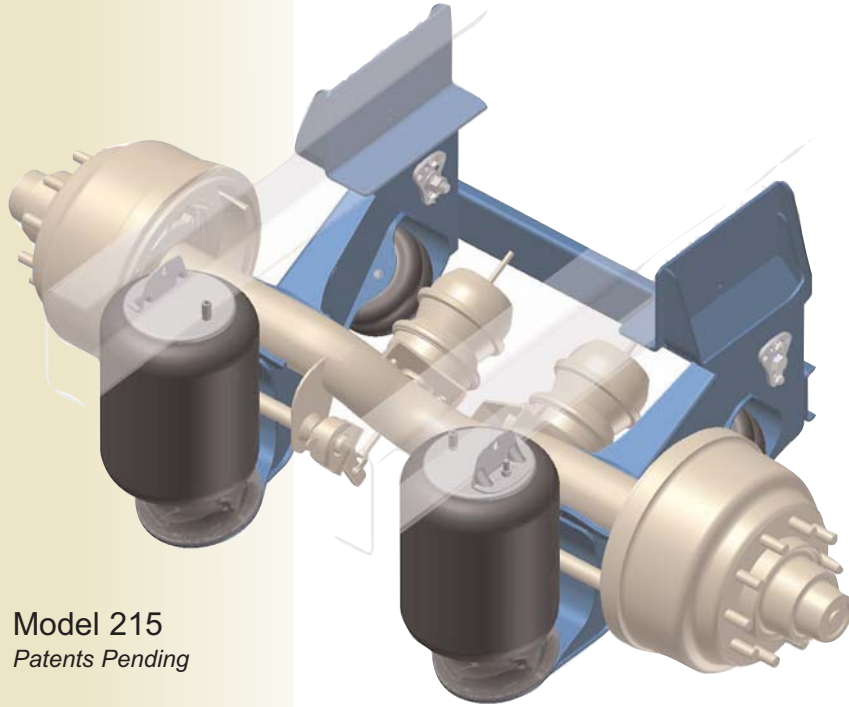




**RIDEWELL  
SUSPENSIONS**

# RCA-215 Flex-Mount™ Auxiliary Axle Suspension



Model 215  
*Patents Pending*

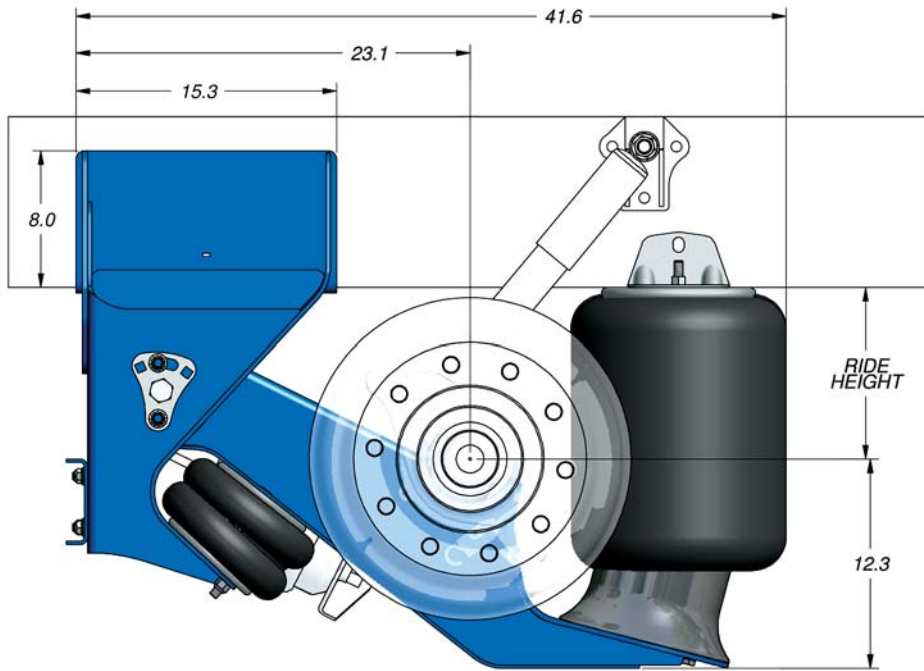
## Ridewell RCA-215 Flex-Mount™

**New, more efficient design increases  
strength and reduces weight!**

### Features:

- 22,500 lbs. capacity
- 50-72 lbs. lighter than our 225 model depending on ride height
- 10 1/4" total travel, with as much as 7" of lift
- Flexible system easily adjusts to various frame widths and ride heights
- New durable & lightweight FiberTech™ bushing
- Patented, contoured axle seat for secure axle connection without U-bolts
- Axle alignment adjustment of 3/8" at each hanger
- Designed to accept axle drop of up to 8"
- Wide beam spacing reduces axle stresses
- Shock kit option available
- Axle integration optional

# RCA-215 Flex-Mount™ Auxiliary Axle Suspension System

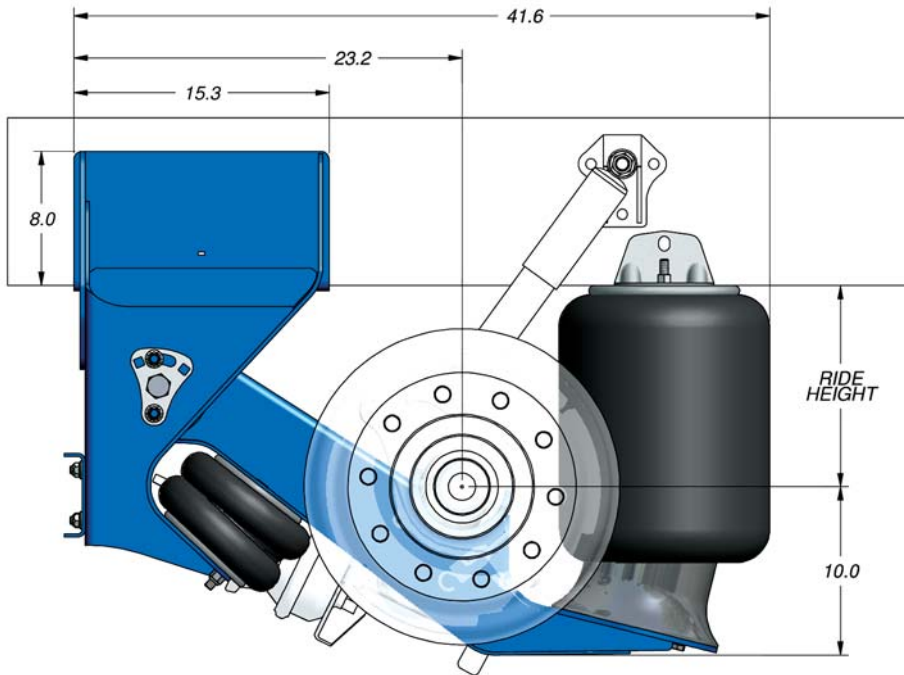


## 2150000

Ride Ht	Up	Down	Total
7.5	4.5	5.8	10.0
8.0	5.0	5.3	10.0
8.5	5.5	4.8	10.0
9.0	6.0	4.3	10.0
9.5	6.5	3.8	10.0
10.0	7.0	3.3	10.0
10.5*	6.5	3.8	10.0
11.0*	7.0	3.8	10.0
11.5**	6.5	3.8	10.0
12.0**	7.0	3.3	10.0

\* Requires 1" optional spacer kit

\*\* Requires 2" optional spacer kit



## 2150010

Ride Ht	Up	Down	Total
10.0	5.0	5.3	10.0
10.5	5.5	4.8	10.0
11.0	6.0	4.3	10.0
11.5	6.5	3.8	10.0
12.0	7.0	3.3	10.0
12.5*	6.5	3.8	10.0
13.0*	7.0	3.8	10.0
13.5**	6.5	3.8	10.0
14.0**	7.0	3.3	10.0

\* Requires 1" optional spacer kit

\*\* Requires 2" optional spacer kit

Above models shown with optional shock kit.



**RIDEWELL  
SUSPENSIONS**

**Ridewell Corporation**  
P.O. Box 4586  
Springfield, MO 65808-4586  
800-641-4122 ♦ (417) 833-4565  
Fax (417) 833-4560  
www.ridewellcorp.com