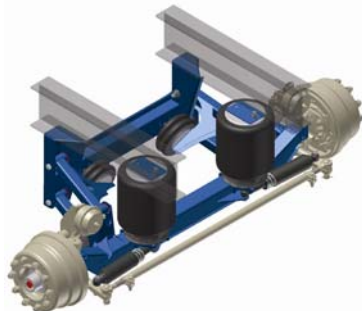


Ridewell Introduces New Lightweight Trailer Suspension System

Ridewell Suspensions has developed a new self-steering, liftable auxiliary axle suspension system. The model RSS-232T has a capacity rating of 13,200 lbs. and available in ride heights ranging from 10 ½” to 18 ¾”. The system includes a lightweight, fully integrated axle and weighs in at less than 900 lbs. The suspension’s simple structure reduces complexity, increases strength and optimizes weight.

Key features of Ridewell’s 232T include:

- A compact mounting envelope as low as 21.7” for mid-mount and high mount versions and 22.0” for the low mount version;
- 13.5” of total axle travel;
- Long-life urethane bushings;
- High tensile steel; and
- 28 degrees of wheel cut.



Model RSS-232T

Ridewell manufactures suspensions for the truck, trailer, bus and recreational vehicle industries throughout the United States and the world.

For more information contact Ridewell Corp., P.O. Box 4586, Springfield, MO 65808-4586. PH: 800-641-4122, (417) 833-4565, FAX: (417) 833-4560.
