

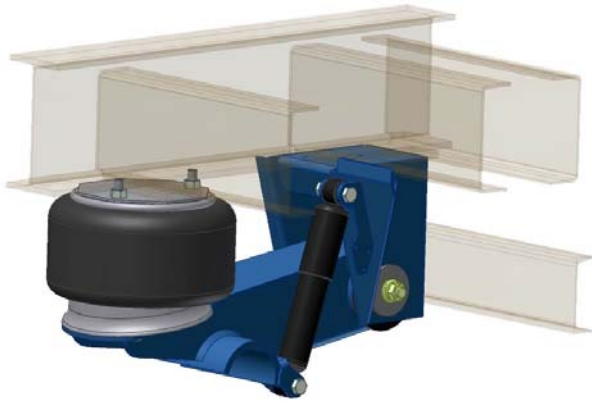


FOR IMMEDIATE RELEASE:

Ridewell Expands 260 Series Suspension Line

Springfield, MO – September 14, 2009 – Ridewell is pleased to announce the release of 2 new RAR-260 30k suspensions. The design of this latest release of the value-priced RAR-260 line of trailer air-ride suspensions is comparable to Ridewell’s existing RAR-240 30K overslungs and has been validated by successful fatigue testing. The existing u-bolt kit 6040058 is compatible with these suspensions, and the following part numbers are now available for order:

- | | |
|---------|------------------------------------|
| 2600915 | 15” – 16” mounting height, weld-on |
| 2600917 | 17” – 18” mounting height, weld-on |



For more information contact Ridewell Corporation, P.O. Box 4586, Springfield, MO 65808.
Phone: 800.641.4122, Fax: 417.833.4560, www.ridewellcorp.com

Media contact: Carey Vaughn, 800-641-4122, ext. 133, cvaughn@ridewellcorp.com

#####