



FOR IMMEDIATE RELEASE:

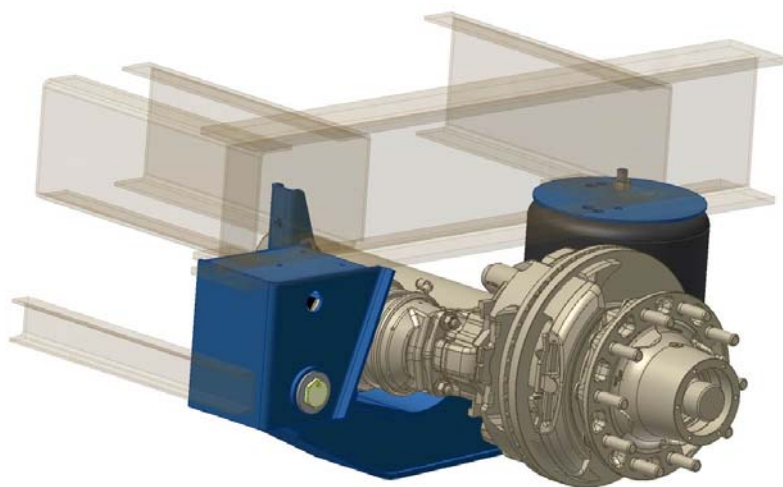
Ridewell Releases New Suspensions for Disc Brake Axles

Springfield, MO – September 14, 2009 – Ridewell is pleased to announce the release of two new RAR-240 trailer air ride suspensions specifically designed to accommodate the IMT/WABCO PAN series air disc brakes (ADB). These “banana beam” suspensions will work with any of the PAN series: PAN 17, PAN 19, or PAN 22; however for customers using just the PAN 17 ADB, the previously released 2400200 may still be preferred because of its overall shorter footprint.

The following part numbers are now available for order:

2400205	6.0” – 7.5” mounting height
2400206	7.5” – 9.0” mounting height

2400206 shown below looking inboard:



For more information contact Ridewell Corporation, P.O. Box 4586, Springfield, MO 65808.
Phone: 800.641.4122, Fax: 417.833.4560, www.ridewellcorp.com

Media contact: Carey Vaughn, 800-641-4122, ext. 133, cvaughn@ridewellcorp.com
####