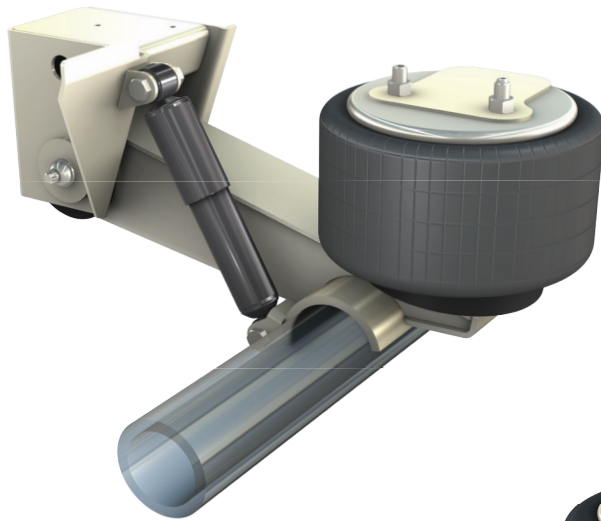


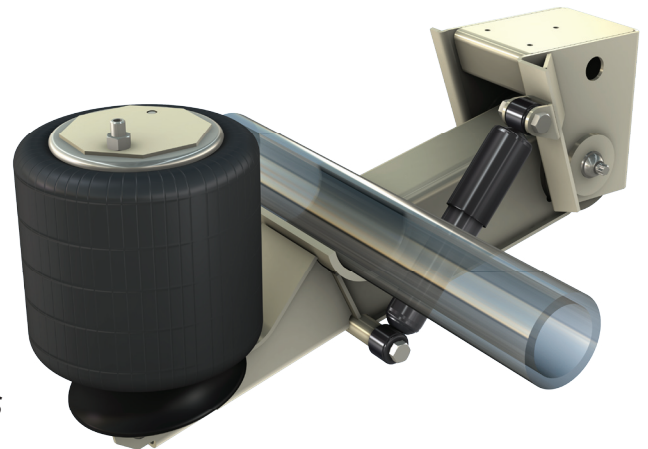
# **RAR-260**

## **Trailer Air-Ride Suspensions**

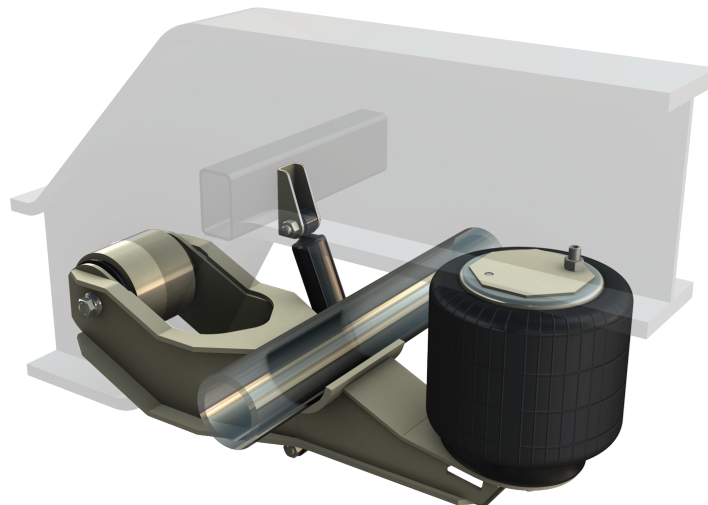
*Optimum balance of price & performance*



**RAR-260 Overslung**  
*25,000 & 30,000 lb. capacities*  
*14" - 26" ride heights*



**RAR-260 Underslung**  
*25,000 & 30,000 lb. capacities*  
*5½" - 12½" ride heights*



**RAR-260 Yoke Mount**  
*25,000 lb. capacity*  
*6" - 9½" ride heights*  
*Combines with standard 260's for*  
*multi-axle applications.*



# **RAR-260**

## **Trailer Air-Ride Suspensions**

### **Features**

*Non-captured axle*

*Axle alignment adjustment capability +/- .25" at hanger*

*Lift kit available*

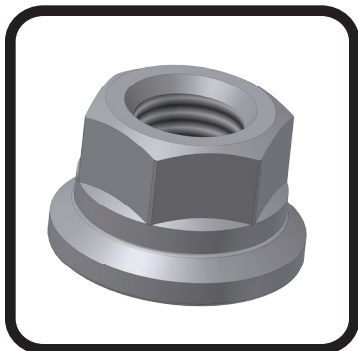
*Available with Ridewell integrated axle*

*Weld-on or bolt-on mounting available*

*Integrated shock absorber mounting (except yoke mount)*

*Integrated height control valve kit available*

*U-bolt kit available (except 25K overslung)*

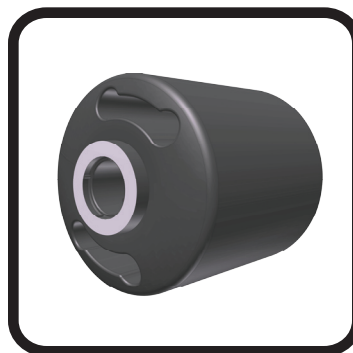


### **Securelok™ Pivot Nut**

The Securelok™ helps to maintain pivot clamping force. This unitized nut, washer, and shim is highly resistant to loosening under vibration.

### **Rubber Bushing**

Industry standard Tenneco™ multi-functional bushing (Over & underslung models).



### **Shear-Type Pivot Bolt**

Simple to install, this high strength fastener automatically applies the required clamping force - no torque wrench or re-torque required.



P.O. Box 4586 ♦ Springfield, Missouri 65808  
www.ridewellcorp.com ♦ 800.641.4122 ♦ Fax 417.833.4560