



FOR IMMEDIATE RELEASE:

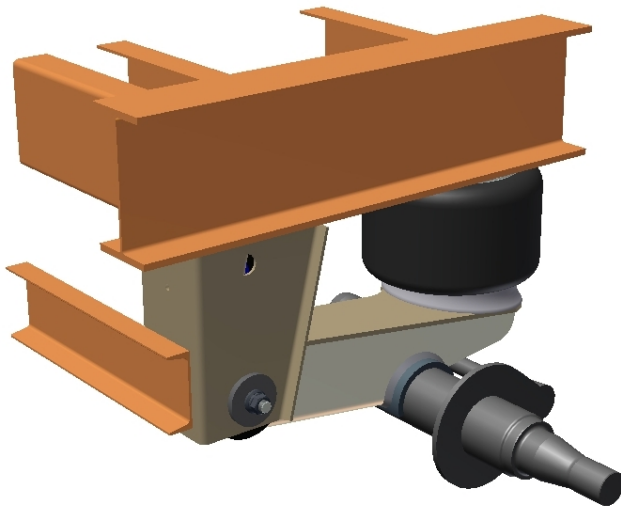
Ridewell Adds New Suspensions to RAR-260 Trailer Suspension Family

Springfield, MO – February 3, 2011 – Ridewell is pleased to add new suspensions to the RAR-260 trailer suspension family.

Tall mounting height 25K capacity overslung RAR-260 suspensions are now available with weld-on and bolt-on hangers. The bolt pattern for these suspensions is compatible with industry standard bolt-on patterns.

RAR-260 also now offers tall mounting height 30K weld-ons, and a full line of 30K bolt-on overslung suspensions. Bolt patterns for these suspensions are also compatible with industry standard bolt-on patterns. These RAR-260's are available in mounting heights ranging from 15 to 24 inches.

Also released into the RAR-260 family is a high-travel 30K overslung. This RAR-260 has a new hanger that allows for up-travel at a 17-inch mounting height. At this mounting height, the travels are 4.2" up-travel and 3.0" down-travel.



RAR-260 High Travel 30K Overslung

Ridewell manufactures suspensions for the truck, trailer, bus, and RV industries. The company supplies the North American community and many other countries worldwide.

For more information contact Ridewell Corporation, P.O. Box 4586, Springfield, MO 65808.
Phone: 800.641.4122, Fax: 417.833.4560, www.ridewellcorp.com

Media contact: Carey Stratton, 800-641-4122, ext. 133, cstratton@ridewellcorp.com

#####