

## Bushing Assembly and Replacement Instructions for:

- RSS-233 – Truck (8K, 10K, 13K Capacity)
- RSS-233T – Trailer (13K Capacity)

## RSS-233/RSS-233T – 8K, 10K, 13K Bushing Kit

Bushing Kit Part No.	Pivot Hardware	Torque Values	
		foot-pound	Newton-meter
6040133	Bushing kit w/o hardware	310 ft-lb	420 N-m
6040134	Pivot Bolt (HHCS) Pivot Nut (Lock Nut)	310 ft-lb	420 N-m

**CAUTION** Failure to install and maintain fasteners at torque specifications could result in suspension failure and void the warranty. Refer to the engineering drawing of each model for torque specifications.

Park the vehicle on a level surface. Chock wheels to keep vehicle from moving. Exhaust all air from the air system. Disassemble suspension, if necessary, to reach pivot connections.

**CAUTION** Failure to properly chock wheels and exhaust air system could allow vehicle/suspension movement that could result in serious injury.

### Bushing Replacement Procedure – RSS-233/RSS-233T - 8K, 10K, 13K Suspensions

Bushing should be replaced in the eight pivot connections at the same time (Figure 1).

1. Remove the pivot hardware by cutting/grinding away the Huck® Collar. Discard pivot hardware.
2. Remove the bushing assembly from the rod eye. Clean the rod eye of foreign debris/corrosion.
3. Apply Energy Suspensions® Formula 5 Prelube to the bore (inside) of each bushing half. NOTE: Do not substitute - urethane bushing lubricant is included with all bushing replacement kits.
4. Press bushing halves into the eye of the torque rod until halves are snug against the eye. NOTE: Mallet may be needed to install the bushing.
5. Press the bushing inner sleeve into the center opening of the installed bushing. NOTE: Mallet or bushing press will be needed to insert sleeve into installed bushing.
6. Check that installed bushing inner sleeve is flush with both sides of new bushing.
7. Install pivot hardware and torque to specifications.
8. Reassemble suspension, if necessary. Torque to specifications.
9. Check wheel toe-in setting (between 1/32" and 3/32") and adjust, if necessary.

#### Notes and Cautions

This instruction uses two types of service notes:

“NOTE”: Provides additional instructions or procedures to complete tasks and make sure that the suspension functions properly.

**CAUTION** Indicates a hazardous situation or unsafe practice that, if not avoided, could result in equipment damage and serious injury.

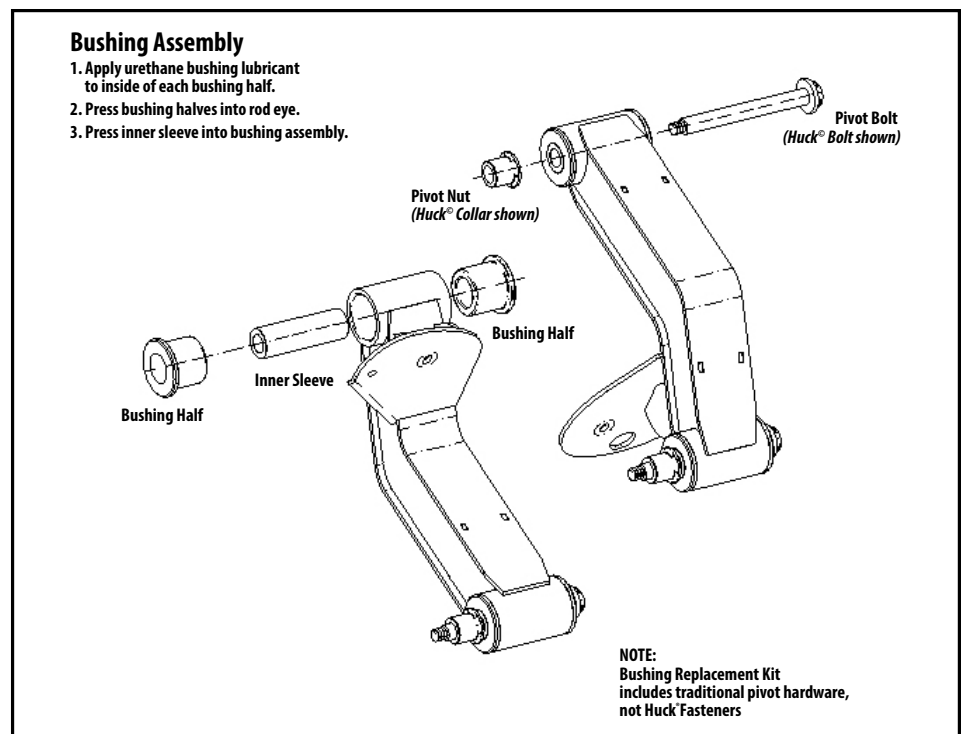


Figure 1. The bushing replacement kit with hardware includes traditional hardware to replace the Huck® Fasteners used for initial assembly.