

# **RSS-232** for trucks **Self-Steering Auxiliary Axle Suspensions**

**All steel construction • Durable urethane bushings**

**Flexible system easily adjusts to various frame widths & ride heights**

**Factory pre-plumbing available (8K & 13K models)**

## **RSS-232-8K**

*8,000 lb. capacity*

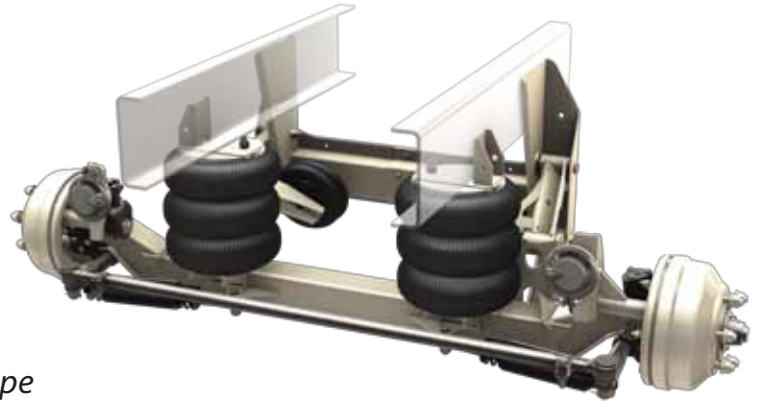
*13.5" total travel, 10" up travel*

*28 degree wheel cut*

*Fits ride heights 10.5" to 16.5"*

*725 lbs. - standard wheel ends*

*Compact 21.7" mounting envelope*



## **RSS-232-13K**

*13,200 lb. capacity*

*13.5" total travel, 10" up travel*

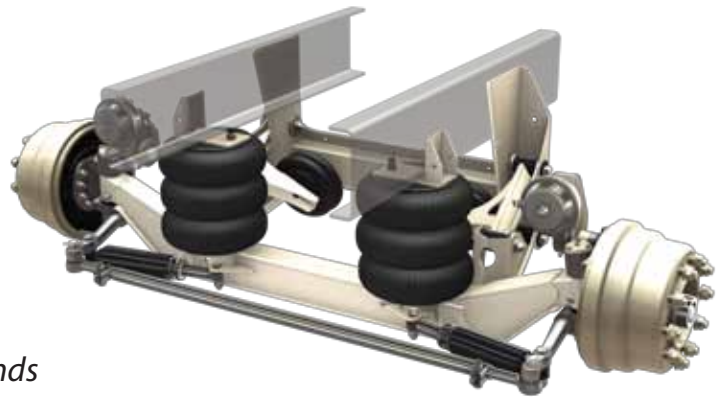
*30 degree wheel cut*

*Fits ride heights 7" to 18"*

*842 lbs. - lightweight wheel ends*

*876 lbs. - standard wheel ends*

*Compact 22.0" mounting envelope*



## **RSS-232-20K**

*20,000 lb. capacity*

*12.5" total travel, 9.5" up travel*

*20 degree wheel cut*

*Fits ride heights 8" to 15"*

*1,435 lbs. - standard wheel ends*

*Compact 29.5" mounting envelope*

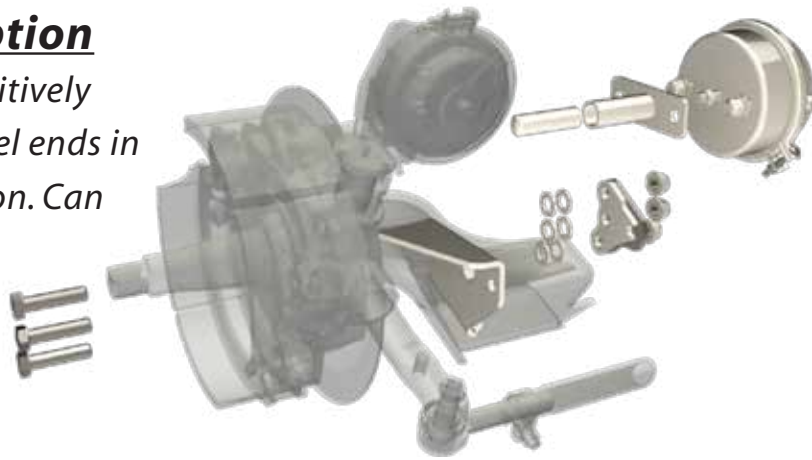


# **RSS-232**

## **Self-Steering Auxiliary Axle Suspensions**

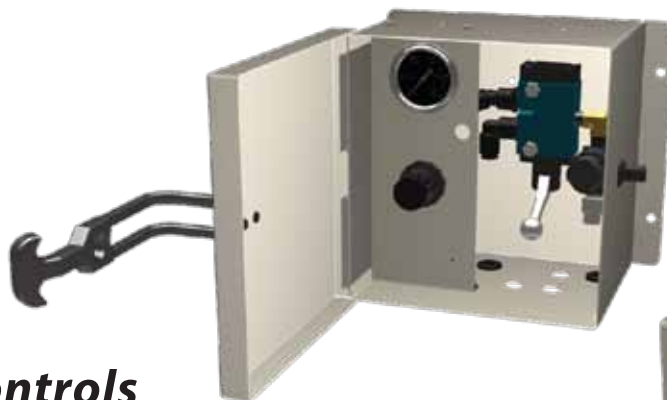
### **Steer Lock Option**

*Unique design positively locks on both wheel ends in the straight position. Can be activated at any wheel angle position.*



### **Easy to adjust frame widths**

*The four torque arms of the RSS-232 (2 upper & 2 lower) work together to maintain the caster angle of the king pin. The frame can be easily adjusted to a range of frame widths by repositioning the spacer washers. Frame width can be factory set or adjusted during installation.*



### **Air Controls**

*Manual & Electric*

*Wide range of custom options available*



P.O. Box 4586 ♦ Springfield, Missouri 65808

www.ridewellcorp.com ♦ 800.641.4122 ♦ Fax 417.833.4560