

RSS-232T for trailers **Self-Steering Auxiliary Axle Suspensions**

All steel construction • Durable urethane bushings

Efficient, flexible design • Factory pre-plumbing available (13K model)

RSS-232T-13K

13,200 lb. capacity

13.5" total travel

10" up travel

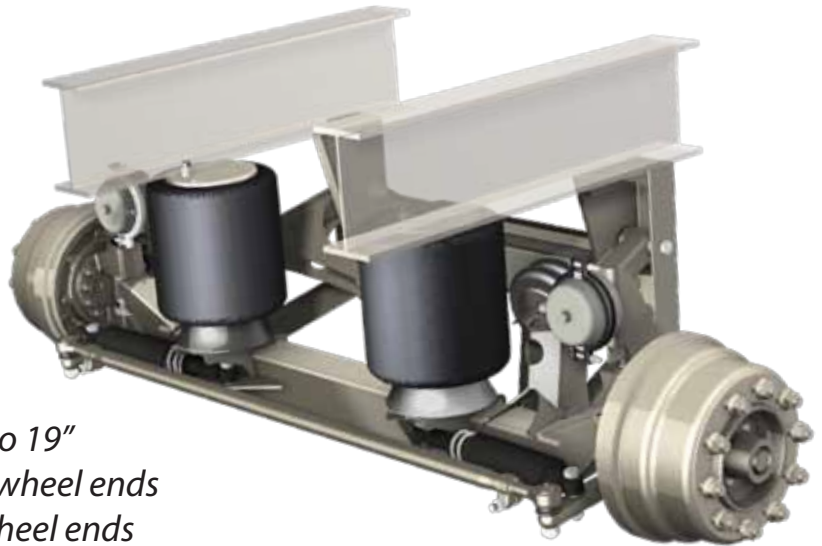
30 degree wheel cut

Fits ride heights 10.5" to 19"

829 lbs. - lightweight wheel ends

863 lbs. - standard wheel ends

Compact 21.7" mounting envelope for mid- and high mount versions; 22" for low mount version



RSS-232T-20K

20,000 lb. capacity

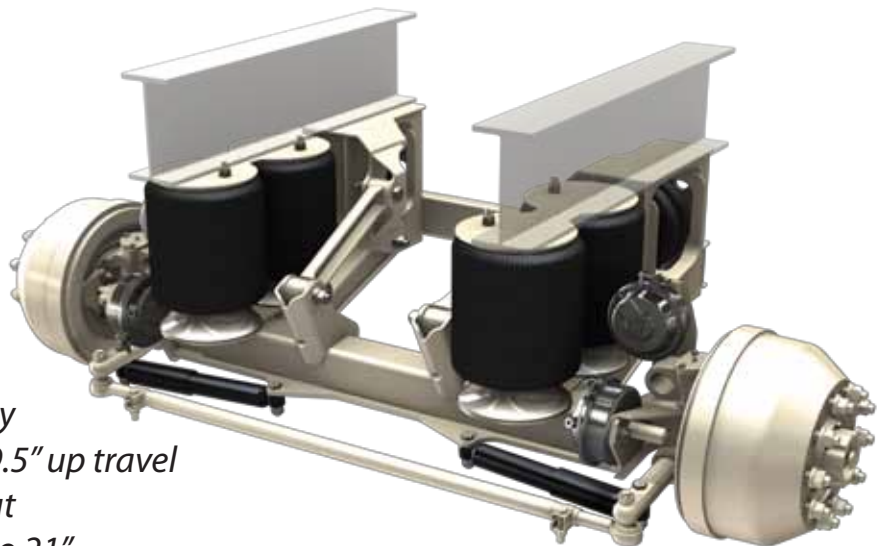
12.5" total travel, 9.5" up travel

25 degree wheel cut

Fits ride heights 8" to 21"

1,410 lbs. - standard wheel ends (mid-mount)

Compact 29.5" mounting envelope

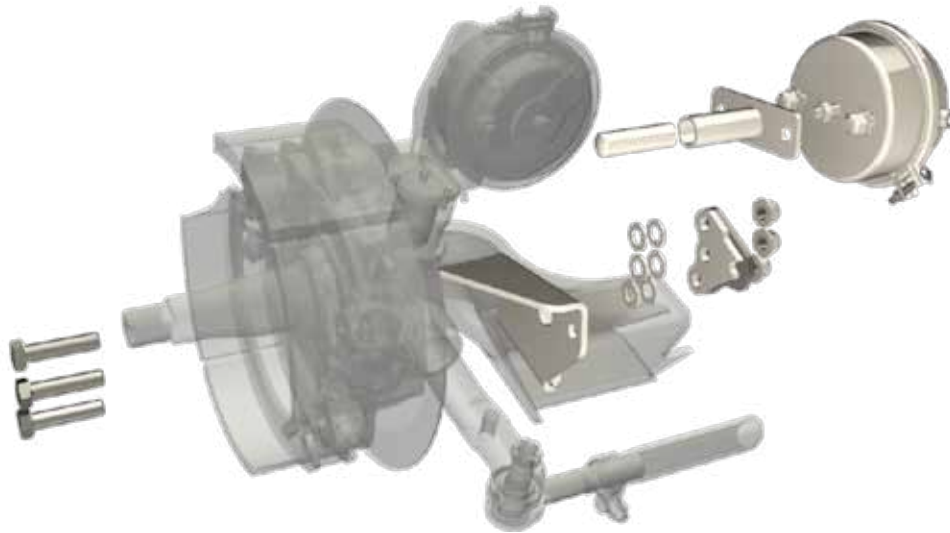


RSS-232T

Self-Steering Auxiliary Axle Suspensions

Steer Lock Option

Unique design positively locks on both wheel ends in the straight position. Can be activated at any wheel angle position.



Air Controls

Manual & Electric

Wide range of custom options available

