

RAR-240-LKS

Self-steering Trailer Air-Ride Suspension

For trailers



RAR-240-LKS
25,000 lb. capacity

For dual or single tire applications

Overslung & underslung axle mounts available

Unitized system with leading kingpin steerable axle

Complies with Canadian provincial weight laws

Non-captured axle

Patented contoured axle seat

Up to 20° wheel cut

Optional lift kit

Available with integrated axle



RAR-240-LKS

Self-Steering Trailer Air-Ride Suspension



Reduced Tire Wear

The system offers up to 20° wheel cut and an optional lift kit. Both features are designed to protect and preserve your tires, dual or super-single.

Automatic Load Equalization

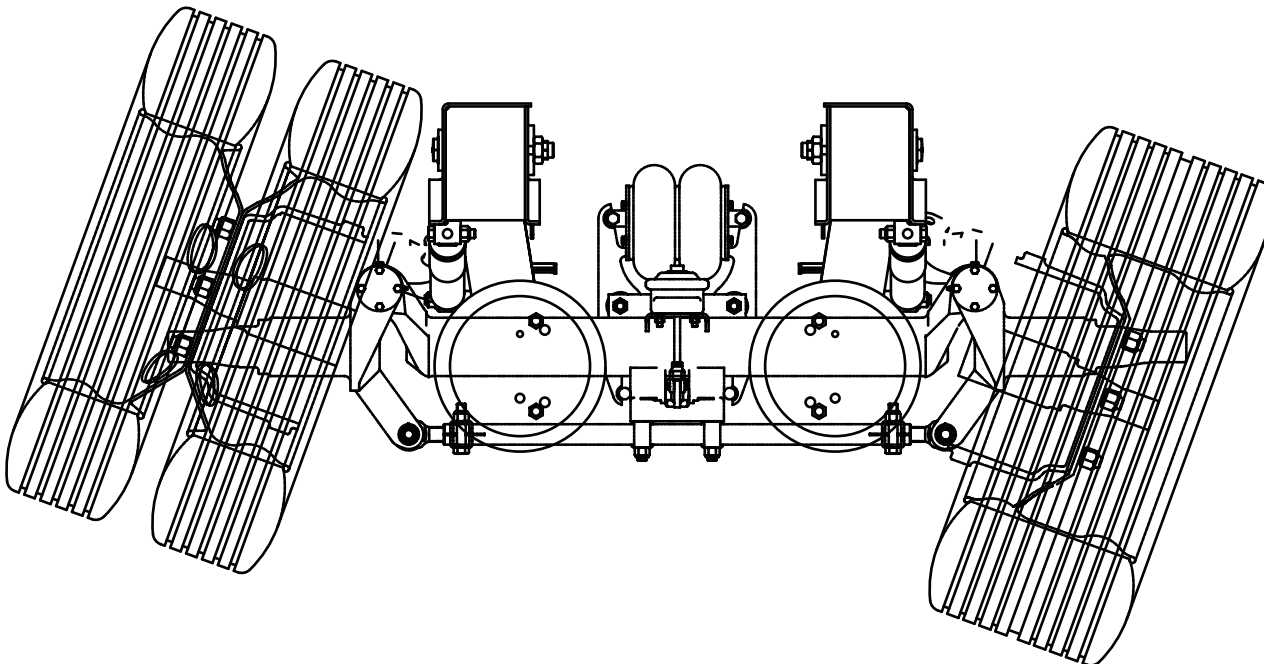
Occurs when Ridewell's corresponding standard Monopivot 240 suspensions are used in the non-steering axle positions.

Simplified Maintenance

Ridewell's alignment feature is manually adjustable by the end user. The unit contains a single pivot bushing that can be manually installed or replaced with simple hand tools, no presses required.

Positive Axle Lock in Reverse Available

Integrated design from axle manufacturer.



P.O. Box 4586 ♦ Springfield, Missouri 65808
www.ridewellcorp.com ♦ 800.641.4122 ♦ Fax 417.833.4560