



**RIDEWELL
SUSPENSIONS**

Mod. RAD-227 100% Air Parallelogram Drive Axle Suspension

*For Bus and R.V. Applications requiring
maximum passenger comfort and safety*



Consider the Advantages of our "Best-Selling Drive Axle Suspension"

- Constant axle pitch and maximum ride stability by advanced parallelogram design
- Floats on (4) air springs for a completely air-cushioned ride
- Simple, manual axle alignment through patented eccentric bolts
- All rubber-bushed pivots for low maintenance
- Proven and progressively refined through use by major OEM's

Compatible with:

- Spicer IFS84/Ridewell IFS-284 independent front suspension system for conventional channel frames, tubular main frames and monocoque chassis configurations
- Ridewell's Mod. RAS-227

Axle capacities: 10,000 - 25,000 lbs.

Warranty: 2-3 year pro-rated

**Ridewell's corresponding air control
and air compressor kits available**

Ridewell's RAS-227 Steer Axle Unit



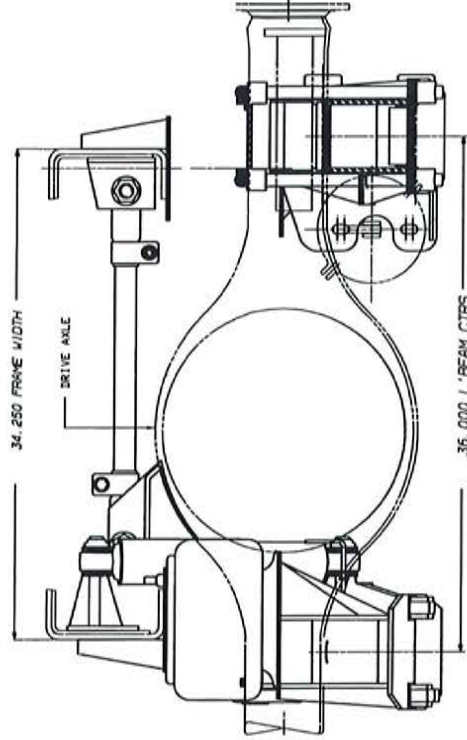
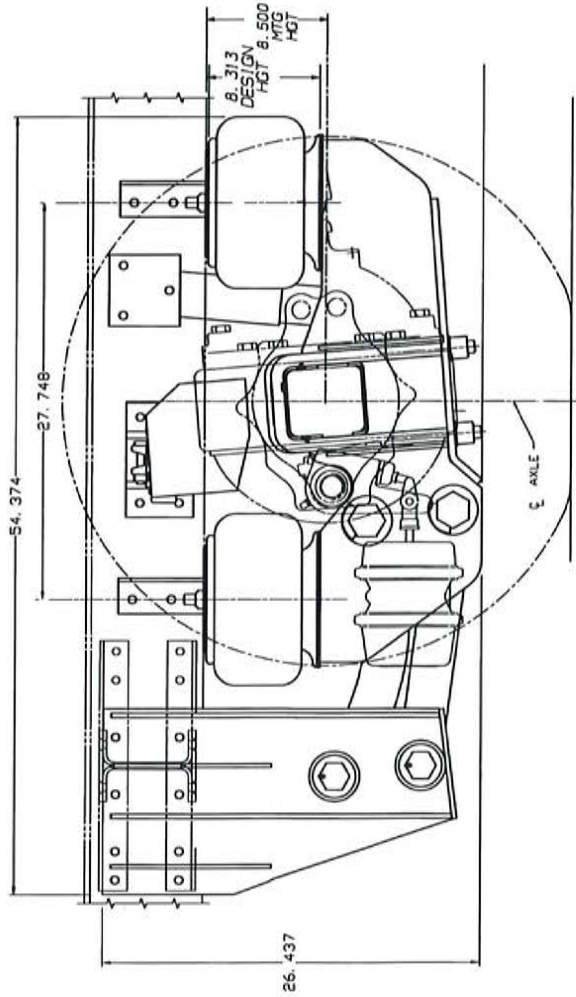
- 100% air, parallelogram design

Ridewell Corporation • P.O. Box 4586 • Springfield, MO 65808-4586
800-641-4122 • (417) 833-4565 • Fax: (417) 833-4560 • www.ridewellcorp.com

RIDEWELL SUSPENSIONS

P.O. Box 4586 • Springfield, MO 65808-4586
 800-641-4122 • (417) 833-4565
 Fax: (417) 833-4560
 www.ridewellcorp.com

COVERED UNDER EXISTING PATENTS AND PATENTS IN PROCESS...



AXLE TRAVEL: 3.0" UP 3.188" DOWN
 20,000 lbs.

RIDEWELL CORP.
 SPRINGFIELD, MO, USA

SUSPENSION ASSEMBLY - AIR RIDE DRIVE
 SHAFT AND DUAL AIR SPRINGS...

2270013-ADV