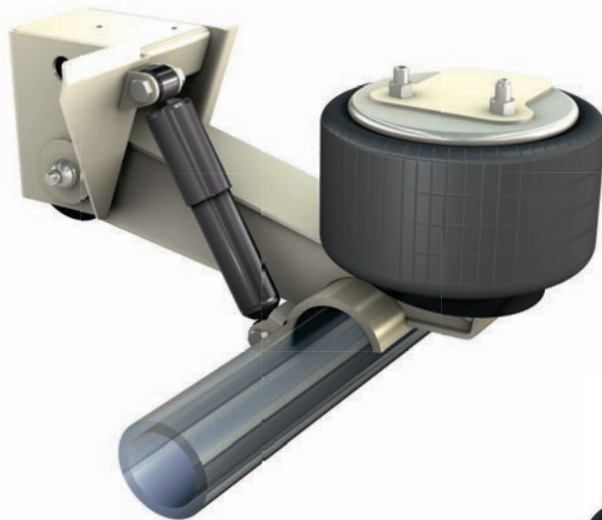


RAR-260

Trailer Air-Ride Suspensions

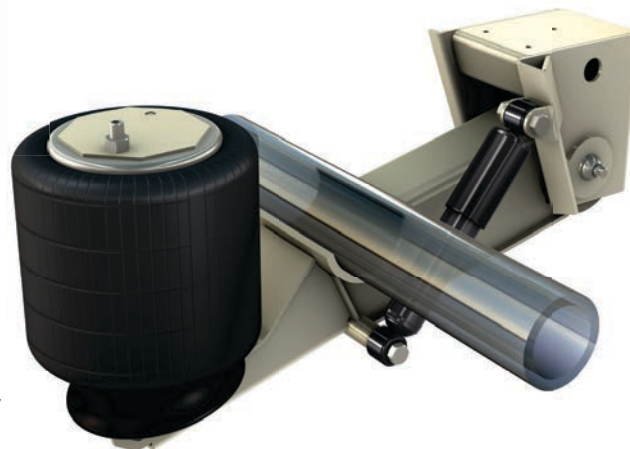
Optimum balance of price & performance



RAR-260 Overslung

25,000 & 30,000 lb. capacities

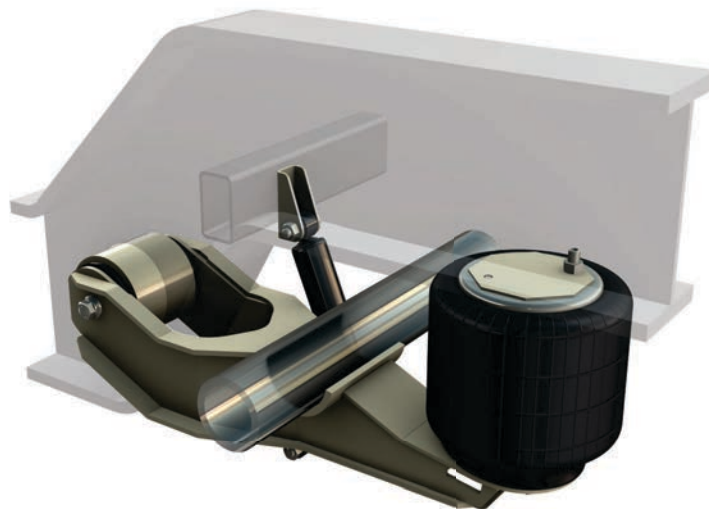
14" - 26" ride heights



RAR-260 Underslung

25,000 & 30,000 lb. capacities

5½" - 12½" ride heights



RAR-260 Yoke Mount

25,000 lb. capacity

6" - 9½" ride heights

*Combines with standard 260's for
multi-axle applications*



RAR-260

Trailer Air-Ride Suspensions

Features

Non-captured axle

Convenient axle alignment adjustment capability

Lift kit available

Available with Ridewell integrated axle

Weld-on or bolt-on mounting available

Integrated shock absorber mounting (except yoke mount)

Integrated height control valve kit available

U-bolt kit available



Shear-Type Pivot Bolt

Simple to install, this high strength fastener automatically applies the required clamping force - no torque wrench or re-torque required.



Rubber Bushing

Industry standard Tenneco™ multi-functional bushing (over & underslung models).



Securelok™ Pivot Nut

The Securelok™ helps to maintain pivot clamping force. This unitized nut, washer, and shim is highly resistant to loosening under vibration.



SpeedSet® Axle Alignment System

This simple alignment feature is quick and easy. Axle alignment adjustment capability +/- .25" at hanger.



P.O. Box 4586 ♦ Springfield, Missouri 65808

www.ridewellcorp.com ♦ 800.641.4122 ♦ Fax 417.833.4560