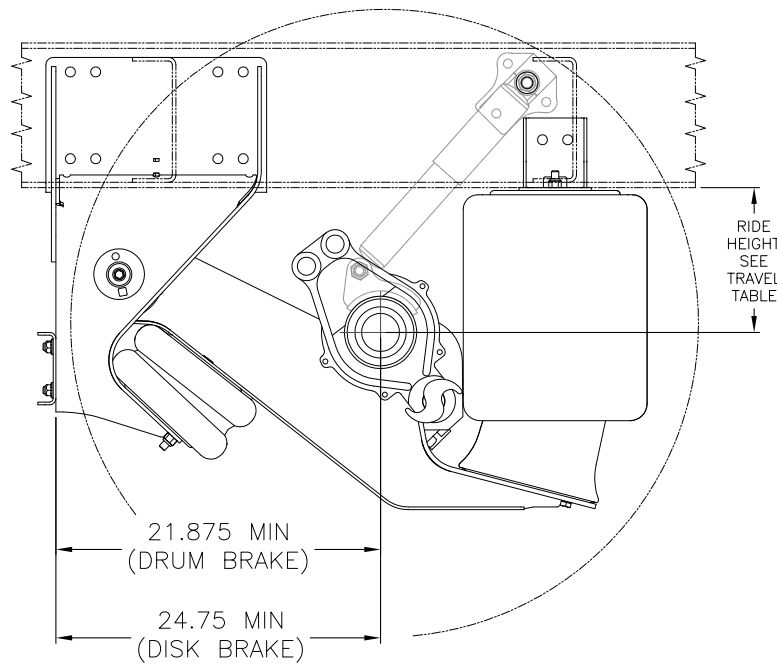
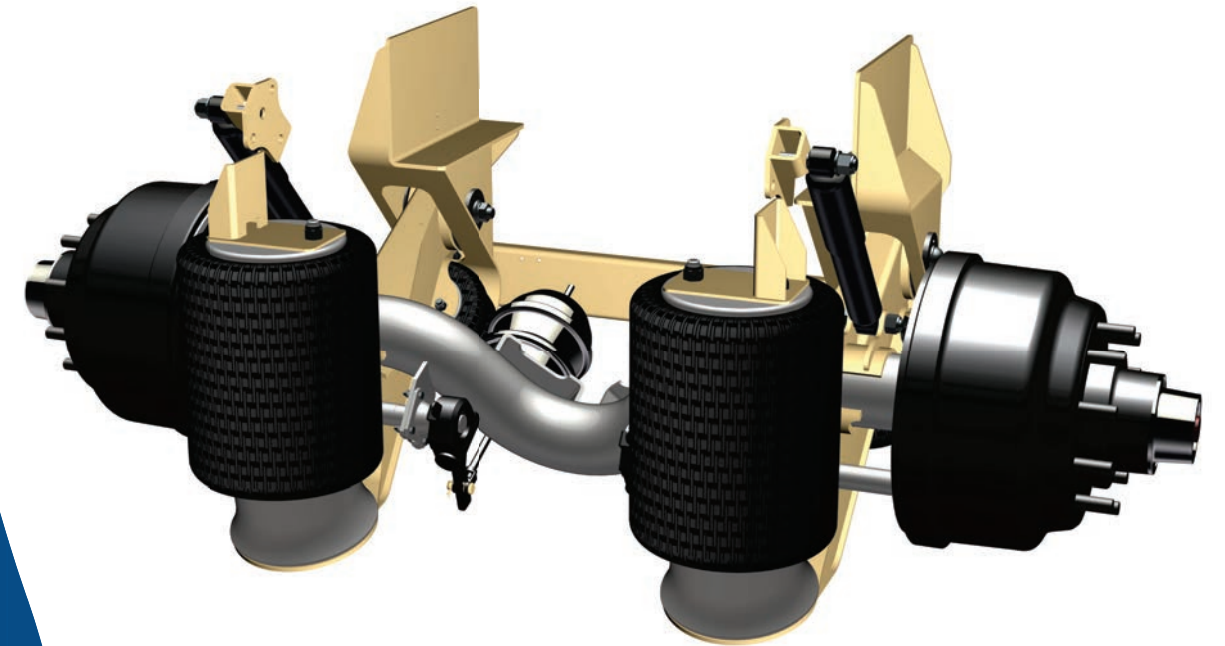


Compact Mounting Envelope



**RIDEWELL
SUSPENSIONS**

RCA-215 Truck Non-Steerable Auxiliary Axle Suspension



RCA-215
22,500 lb. capacity

TRAVEL TABLE 215 LM 2150202, 2150145						TRAVEL TABLE 215 MM 2150204, 2150147						TRAVEL TABLE 215 HM 2150205, 2150146								
RIDE HEIGHT	NO SPACER		1" SPACER		2" SPACER		RIDE HEIGHT	NO SPACER		1" SPACER		2" SPACER		RIDE HEIGHT	NO SPACER		1" SPACER		2" SPACER	
	UP	DOWN	UP	DOWN	UP	DOWN		UP	DOWN	UP	DOWN	UP	DOWN		UP	DOWN	UP	DOWN	UP	DOWN
7.50	4.5	5.8	—	—	—	—	9.50	4.5	5.8	—	—	—	—	11.50	4.5	5.8	—	—	—	—
8.00	5.0	5.3	—	—	—	—	10.00	5.0	5.3	—	—	—	—	12.00	5.0	5.3	—	—	—	—
8.50	5.5	4.8	4.5	5.8	—	—	10.50	5.5	4.8	4.5	5.8	—	—	12.50	5.5	4.8	4.5	5.8	—	—
9.00	6.0	4.3	5.0	5.3	—	—	11.00	6.0	4.3	5.0	5.3	—	—	13.00	6.0	4.3	5.0	5.3	—	—
9.50	6.5	3.8	5.5	4.8	4.5	5.8	11.50	6.5	3.8	5.5	4.8	4.5	5.8	13.50	6.5	3.8	5.5	4.8	4.5	5.8
10.00	7.0	3.3	6.0	4.3	5.0	5.3	12.00	7.0	3.3	6.0	4.3	5.0	5.3	14.00	7.0	3.3	6.0	4.3	5.0	5.3
10.50	—	—	6.5	3.8	5.5	4.8	12.50	—	—	6.5	3.8	5.5	4.8	14.50	—	—	6.5	3.8	5.5	4.8
11.00	—	—	7.0	3.3	6.0	4.3	13.00	—	—	7.0	3.3	6.0	4.3	15.00	—	—	7.0	3.3	6.0	4.3
11.50	—	—	—	—	6.5	3.8	13.50	—	—	—	—	6.5	3.8	15.50	—	—	—	—	6.5	3.8
12.00	—	—	—	—	7.0	3.3	14.00	—	—	—	—	7.0	3.3	16.00	—	—	—	—	7.0	3.3

Durable, lightweight bushing

Easily adjusts to various frame widths & ride heights

Easy axle alignment system

Axle integration available

Disc Brake Option



P.O. Box 4586 ♦ Springfield, Missouri 65808

www.ridewellcorp.com ♦ 800.641.4122 ♦ Fax 417.833.4560



RCA-215 Non-Steerable Auxiliary Axle Suspension

Speed Set® Axle Alignment System

This simple alignment feature is quick and easy. Axle alignment adjustment capability $\frac{1}{2}$ " at hanger.



Shear-Type Pivot Bolt

Simple to install, this high strength fastener automatically applies the required clamping force - no torque wrench or re-torque required.



Securelok™ Pivot Nut

The Securelok™ Pivot Nut helps to maintain pivot clamping force. This unitized nut, washer, and internal locking device is highly resistant to loosening under vibration.



Disc Brakes

This option provides reduced stopping distance and reduced maintenance.



Premium Rubber Bushing

Superior performance at the critical pivot connection with our solid rubber narrow bushing.



Shock Kit

This optional shock kit provides adds stability. Recommended when air equalization is intended between auxiliary and primary suspensions.



Drop Axle

Accepts axle drop up to 8"

Additional Features:

Wide beam spacing reduces axle stress
Fits ride heights $7\frac{1}{2}$ " to 16"
 $10\frac{1}{2}$ " total travel; up to 7"
215 LKS steerable version available

