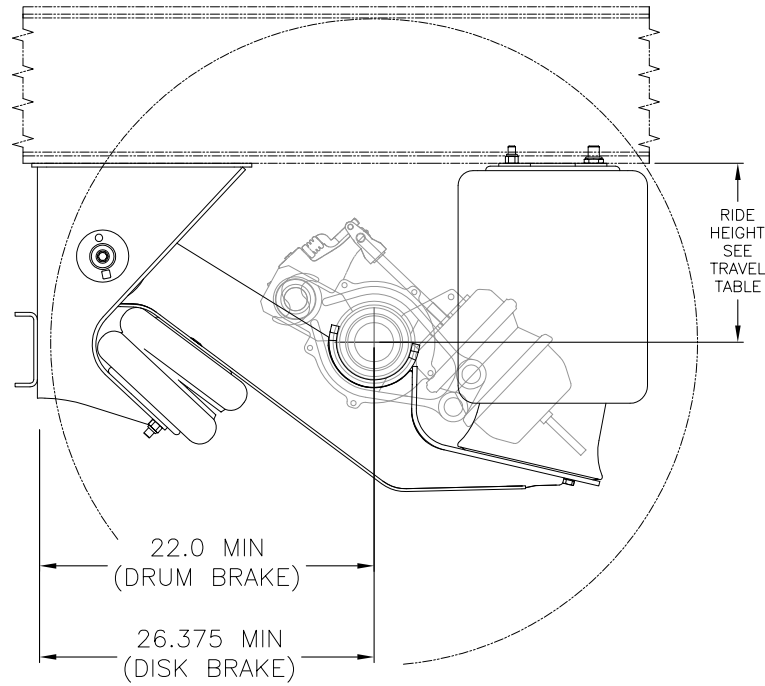
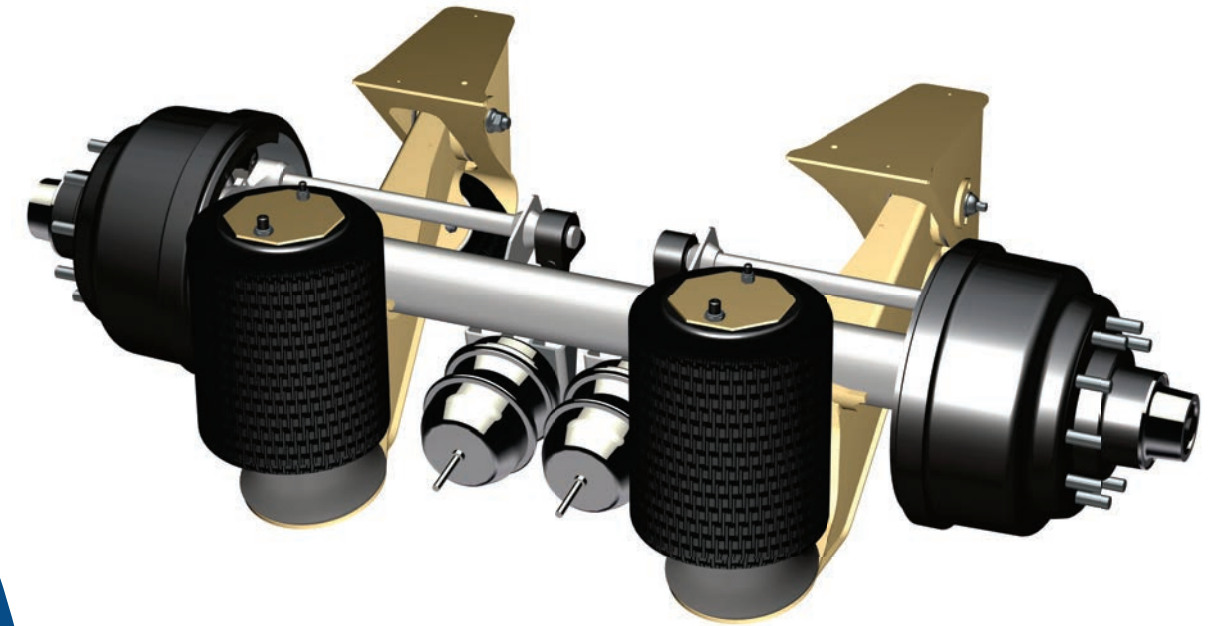


Compact Mounting Envelope



**RIDEWELL
SUSPENSIONS**

RCA-215T *Trailer* Non-Steerable Auxiliary Axle Suspension



RCA-215
22,500 lb. capacity

<i>TRAVEL TABLE 215 LMT 2150311, 2150148</i>			<i>TRAVEL TABLE 215 MMT 2150321, 2150150</i>			<i>TRAVEL TABLE 215 HMT 2150331, 2150149</i>		
RIDE HEIGHT	UP TRAVEL	DOWN TRAVEL	RIDE HEIGHT	UP TRAVEL	DOWN TRAVEL	RIDE HEIGHT	UP TRAVEL	DOWN TRAVEL
10.0"	4.8"	5.5"	12.0"	4.8"	5.5"	14.0"	4.8"	5.5"
10.5"	5.3"	5.0"	12.5"	5.3"	5.0"	14.5"	5.3"	5.0"
11.0"	5.8"	4.5"	13.0"	5.8"	4.5"	15.0"	5.8"	4.5"
11.5"	6.3"	4.0"	13.5"	6.3"	4.0"	15.5"	6.3"	4.0"
12.0"	6.8"	3.5"	14.0"	6.8"	3.5"	16.0"	6.8"	3.5"

Durable, lightweight bushing

Easily adjusts to various frame widths & ride heights

Easy axle alignment system

Axle integration available

Disc brake option



P.O. Box 4586 ♦ Springfield, Missouri 65808
www.ridewellcorp.com ♦ 800.641.4122 ♦ Fax 417.833.4560



RCA-215T Non-Steerable Auxiliary Axle Suspension

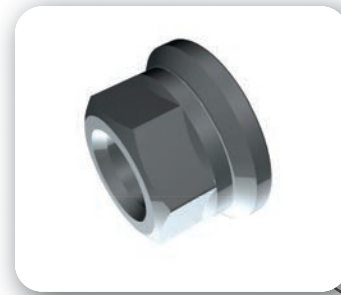
Shear-Type Pivot Bolt

Simple to install, this high strength fastener automatically applies the required clamping force - no torque wrench or re-torque required.



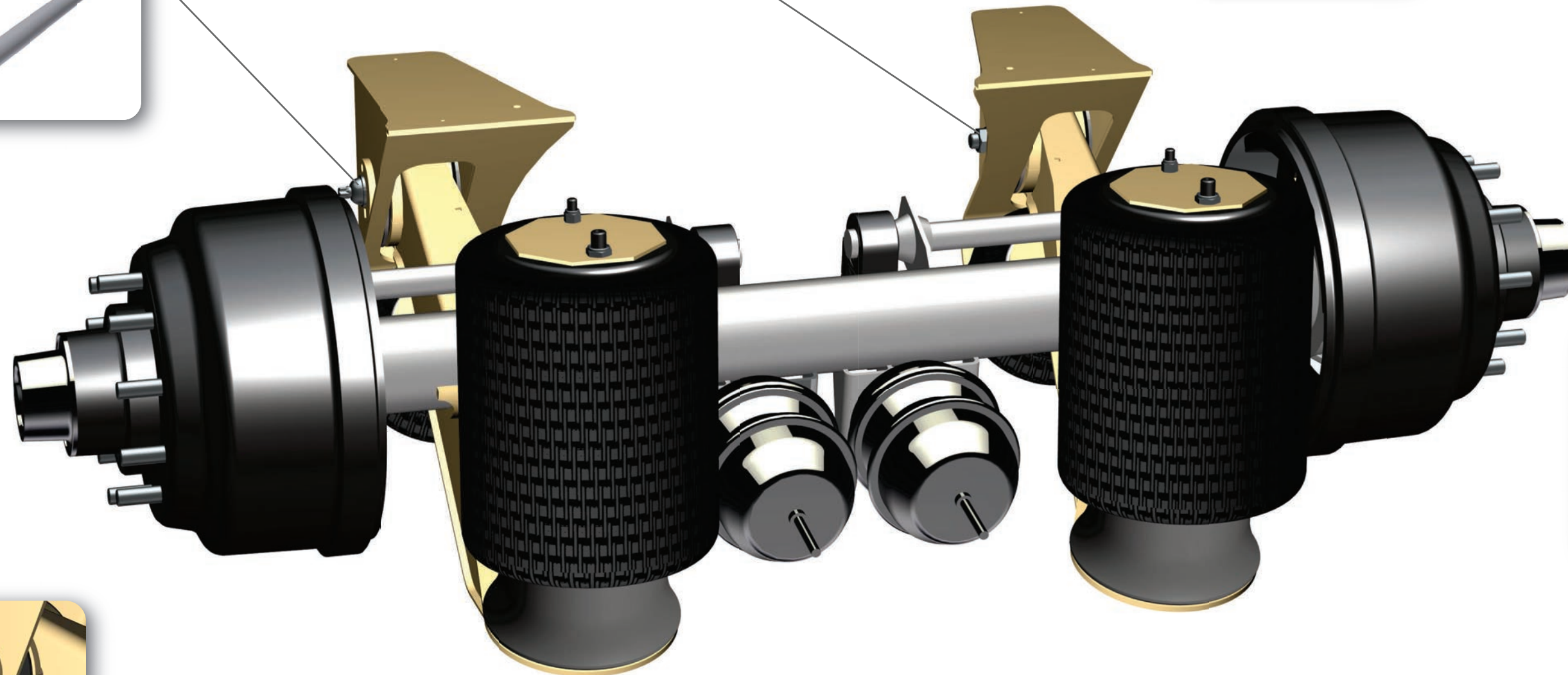
Securelok™ Pivot Nut

The Securelok™ Pivot Nut helps to maintain pivot clamping force. This unitized nut, washer and internal locking device is highly resistant to loosening under vibration.



Premium Rubber Bushing

Superior performance at the critical pivot connection with our solid rubber narrow bushing.



Disc Brakes

This option provides reduced stopping distance and reduced maintenance.

Shock Kit

This optional shock kit provides adds stability. Recommended when air equalization is intended between auxiliary and primary suspensions.



Speed Set® Axle Alignment

This simple alignment feature is quick and easy. Axle alignment adjustment capability is 1/2" at hanger.



Additional Features:

Wide beam spacing reduces axle stress
Fits ride heights 7 1/2" to 18"
10 1/2" total travel; up to 6.8" of lift