

SERIES 6300AAA00 - AA

PACKAGING

HEIGHT CONTROL VALVE (FIG 1)

ITEM	VALVE	VALVE NO	REF. KIT NO
0	HCV, STANDARD	6205004	6255004
1	HCV, PRESSURE DUMP	6205005	6255005
2	HCV, ZERO PRESSURE DUMP	6205006	6255006
3	HCV, LO-FLO	6205007	6255007
9	NO HCV		

PRESSURE PROTECTION VALVE (FIG 2)

ITEM	PART NO
0 = (NONE)	-
1 = PRESSURE PROTECTION VALVE	1234761B000
2 = PPV WITH CHECK SEAL	1230060

LEVER (FIG 3)

LEVER	LENGTH	PART NO
A = (NONE)	-	-
B = ADJUSTABLE	5.0"/7.0"	6212001
C = FIXED/OFFSET	6.9"	6212002
D = FIXED	5.0"	6212003
E = FIXED	9.0"	6212005

VERTICAL LINK (FIG 4)

LENGTH	CLAMP TYPE	VERTICAL LINK ITEM CC	REF. KIT NO
A = (NONE)			
B = 5.50"	BB	1237423B050	6210010
C = 9.00"	BB	1237423B049	6210011
D = 10.50"	BB	1237423B018	6210012
E = 12.00"	BB	1237423B045	6210013
F = 14.00"	BB	1237423B015	6210014
G = 15.00"	BB	1237423B044	6210015
H = 16.00"	BB	1237423B017	6210016
J = 18.00"	BB	1237423B016	6210017
K = 19.90"	BB	1237423B019	6210018
L = 21.00"	BB	1237423B043	6210019
M = 7.00"	BB	1237423B051	6210020
N = 25.00"	BB	1237423B020	6210021
P = 15.00"	GG	1237423B044	6210022

This drawing and/or electronic media containing this drawing is the sole property of the Ridewell Corp. and is loaned with the express condition that it is not to be used in any way deleterious to the interest of the Ridewell Corp. The acceptance of this drawing and/or electronic media containing this drawing will be construed as an acceptance of the foregoing conditions. Drawings and/or electronic media containing this drawing are to be returned to the Ridewell Corp. upon request.

CUSTOMER (BLANK) = (NOT SPECIFIC)  
-AA = TWO DIGIT CODES ARE CUSTOMER SPECIFIC. SEE BPCS ITEM NOTES FOR PACKAGING INFO.

DRAWING/INSTRUCTIONS RIDEWELL STD

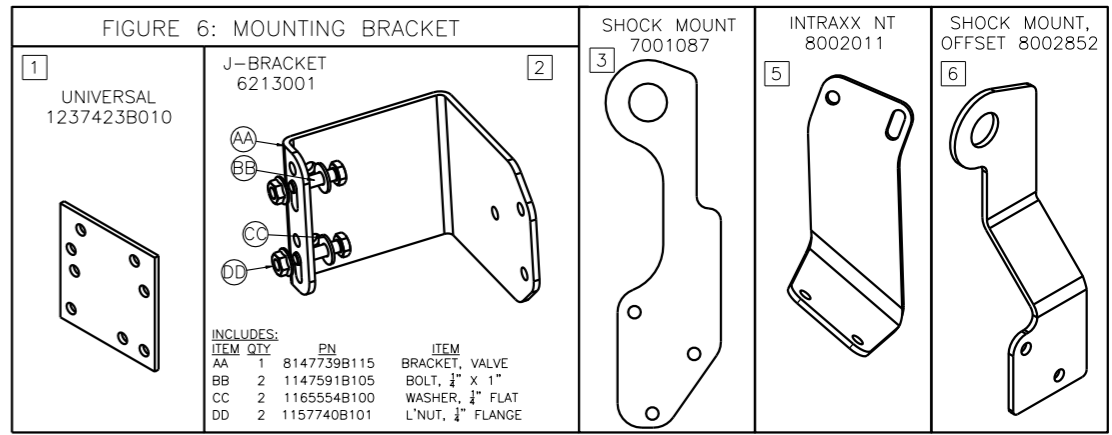
PN SHOWN ON PACKAGE RIDEWELL PN

FITTINGS (FIG 7)

ITEM	QUANTITY					
	1/2" ELBOW	3/8" ELBOW	1/2" PLUG	3/8" PLUG	REDUCER	ADAPTER
0 = (NONE)	0	1	0	0	0	0
1 = STEM ELBOW 1/2"	0	2	0	0	0	0
2 = STEM ELBOW 3/8"	0	0	0	1	0	0
3 = PLUG 3/8"	0	1	0	1	0	0
4 = STEM ELBOW & PLUG 3/8"	0	0	0	0	3	0
5 = PLUG 1/2"	0	0	0	0	1	0
6 = REDUCER	0	0	0	0	1	0
7 = REDUCER	0	0	0	0	0	3
8 = STEM ADAPTER	0	0	0	0	0	4
9 = STEM ADAPTER	0	0	0	0	0	0
A = REDUCER & PLUG 3/8"	0	0	1	1	1	0
B = UNIVERSAL	0	2	0	1	3	3
C = STEM ELBOW 1/2"	2	0	0	0	0	0
D = STEM ELBOW 3/8"	0	3	0	0	0	0

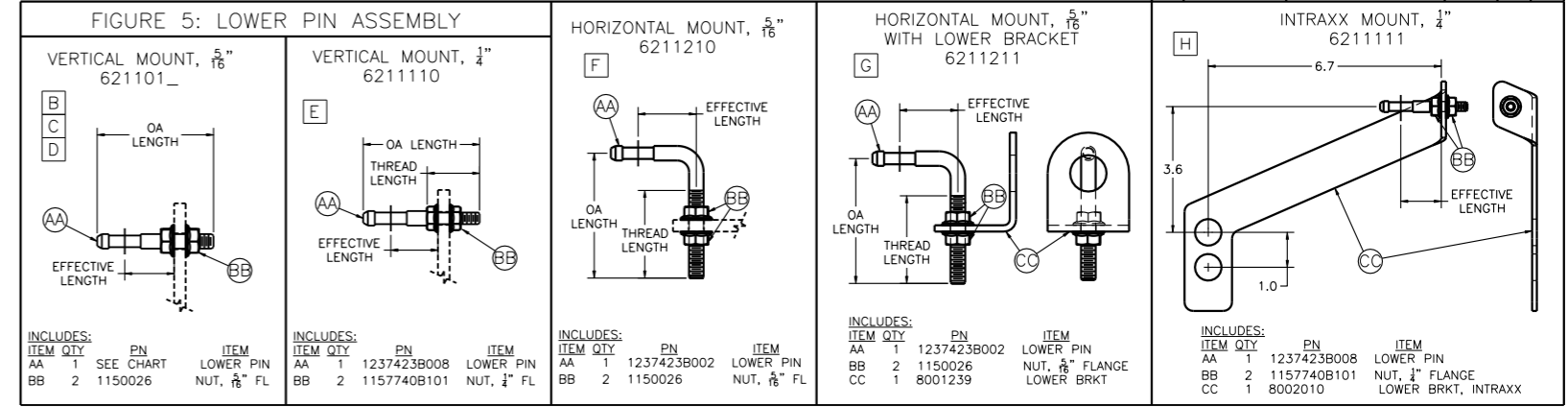
MOUNTING BRACKET (FIG 6)

ITEM	BRACKET KIT NO
0 = (NONE)	-
1 = UNIVERSAL	1237423B010
2 = J-BRACKET	6213001
3 = SHOCK MNT	7001087
4 = -	-
5 = INTRAXX NT	8002011
6 = SHK MNT OFFSET	8002852



LOWER PIN ASSEMBLY (FIG 5)

PIN ASSEMBLY TYPE	OA LENGTH	THREAD LENGTH	EFFECTIVE LENGTH	LOWER PIN ITEM AA	REF. KIT NO
A = (NONE)	-	-	-	-	-
B = VERTICAL MOUNT, 5/16"	2.50"	1.13"	1.00"	1237423B003	6211010
C = VERTICAL MOUNT, 5/16"	2.00"	1.00"	.75"	1237423B013	6211011
D = VERTICAL MOUNT, 5/16"	4.25"	1.88"	2.50"	1237423B102	6211012
J = VERT MNT, CLAMP, 5/16" 5.00"	2.50"	1.13"	1.00"	1237423B003	6211013
K = VERT MNT. CLAMP, 5/16" 5.75"	2.50"	1.13"	1.00"	1237423B003	6211014
E = VERTICAL MOUNT, 1/4"	2.50"	1.13"	1.00"	1237423B008	6211110
F = HORIZONTAL MOUNT, 5/16"	2.68"	1.88"	1.25"	1237423B002	6211210
G = HORIZONTAL MNT&BKT, 5/16"	2.68"	1.88"	1.25"	1237423B002	6211211
H = INTRAXX MOUNT, 1/4"	2.50"	1.13"	1.00"	1237523B008	6211111



PARTS INCLUDED IN (J) 6211013

PARTS INCLUDED IN (K) 6211014

ITEM No.	PART No.	PART DESCRIPTION	DIM. "A" No.	No. No.
AA	1237423B003	LOWER PIN	1	1
BB	1150026	NUT, 5/16 FLANGE	2	2
CC	1350101	CLAMP BAND 5.00" (5.00)	1	1
	1350102	CLAMP BAND 5.75" (5.75)	1	1

KITS LISTED FOR REPLACEMENT PURPOSES ONLY

T	19104	KIT BOMS MOVED TO TOP LEVEL, KIT LEVEL MADE REF	02/14/20	PMB	AAS	BB	DRAWN BY: DK	2/23/06
S	B199	PIN ASSY TYPE "D" LOWER PIN (ITEM AA) WAS 1237423B802	8/9/19	AAS	GWH	PMB	CHECKED: BB	2/28/06
R	15100	UPDATED 7001087 GRAPHIC (FIGURE 6-3)	4/20/15	PMB	MDJ	PMB	APPROVED: BB	2/28/06
P	09100	CHANGED HCV KITS (3RD CHARACTER) TO VALVE W/OUT A CHECK SEAL	6/21/10	G.H.	MDJ	DK	PROJECT NO: 05112	SCALE: B-SIZE: NTS D-SIZE: NTS
N	09100	ADDED 1 ELBOW TO FIG 7, ADDED 9" LEVER	11/10/09	DK	MDJ	DK	MATERIAL: -	WEIGHT: -
M	09100	ADDED MOUNTING BRACKET 6, REMOVED 4	3/5/08	G.H.	MDJ	DK		
L	08100	ADDED B, C, & D TO FIG 7	3/5/08	G.H.	MDJ	DK	TOLERANCES UNLESS OTHERWISE SPECIFIED: DECIMAL: .XX ±0.1 FRACTION: ±1/16 .XXX ±0.030 ANG: X ±1° [XXX] KCC [XXX] KCC	
REV	ECN#	REVISION DESCRIPTION	DATE	BY	CHK	APPD	*WELD TOLERANCES PER ISO W045-02	

**RIDEWELL CORPORATION**

PO BOX 4586 SPRINGFIELD, MISSOURI 65808

TITLE: HEIGHT CONTROL KITS

CHARTED

SHEET 1 OF 1

PART NO: 6300AAA00

REV: T