



RTL-239

6K Tandem Lift

The Lightest and Least Expensive Way to Meet Federal Bridge

Features

One Suspension Lifts Two Axles

250# Weight Savings

6K Total Capacity

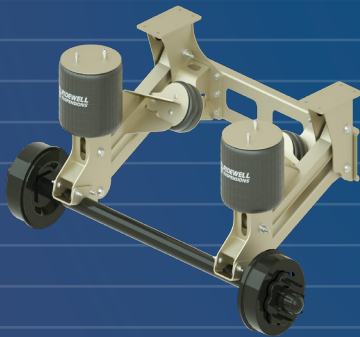
7.5" Up Travel

Optional Stainless Hangers

Application

Aluminum End Dumps

(replaces two single suspensions)



Optional Single Axle Rated at 3K



Torsion Axle Available for 3K Single



www.ridewellcorp.com