



RW-Drum

Drum Brake Axle for Trailers

Features

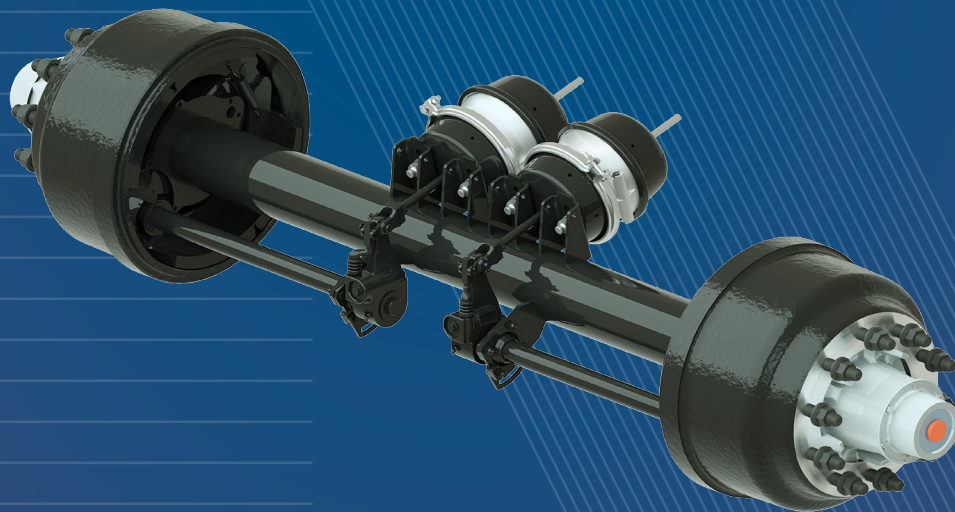
Nominal Wall thickness: 0.47", 0.59" & 0.75"

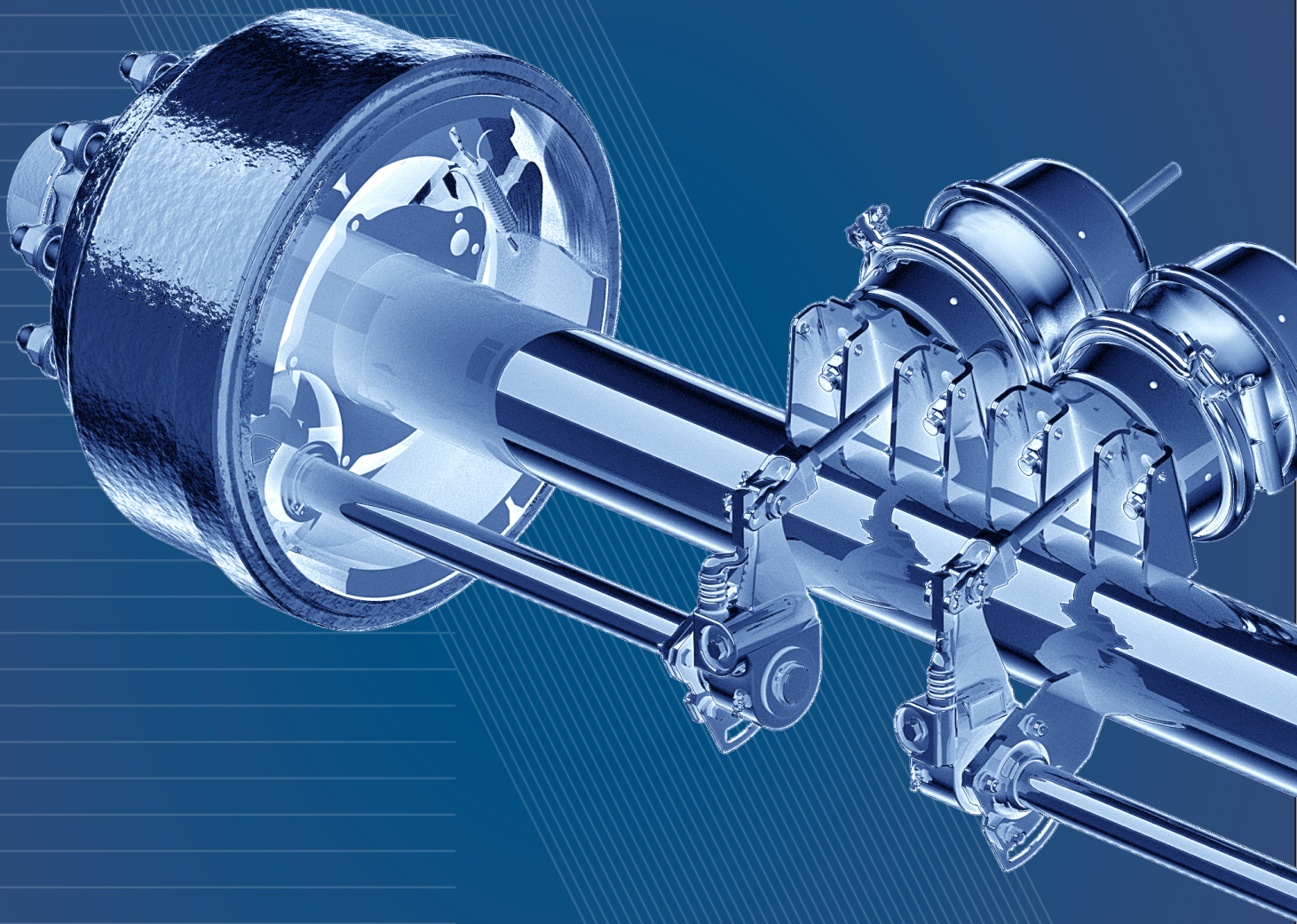
16.5"x7" and 12.25"x7.5" Brakes

Full Range of Hub and Drum Choices

Straight and Drop Center Beams

Custom Track Widths Available





www.ridewellcorp.com