



# RD-202

Heavy-Duty Tandem Drive Suspension

## Features

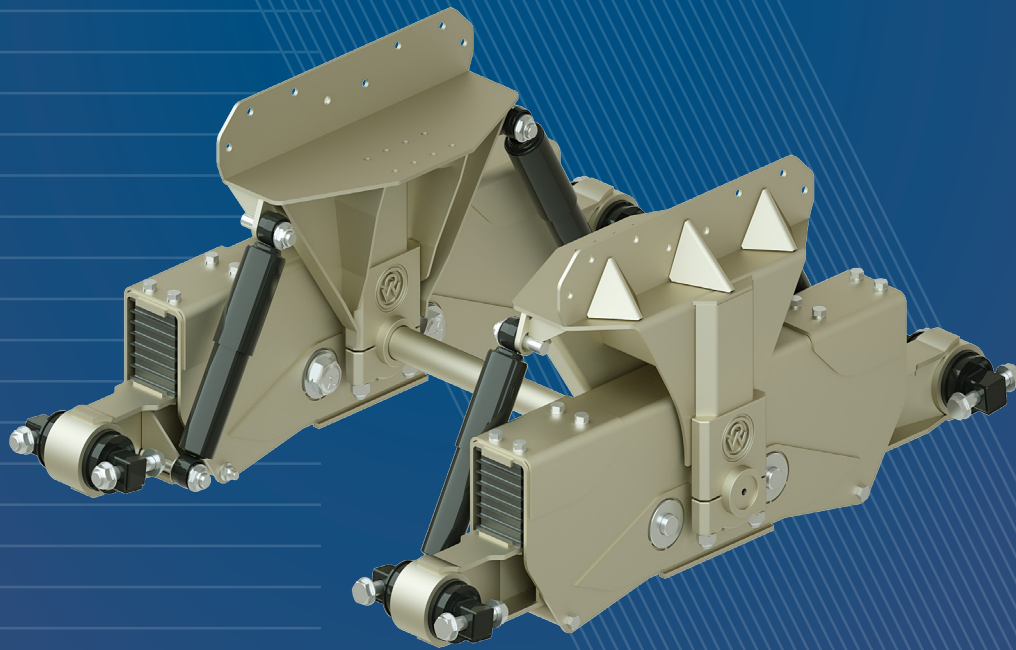
38K-75K Capacity

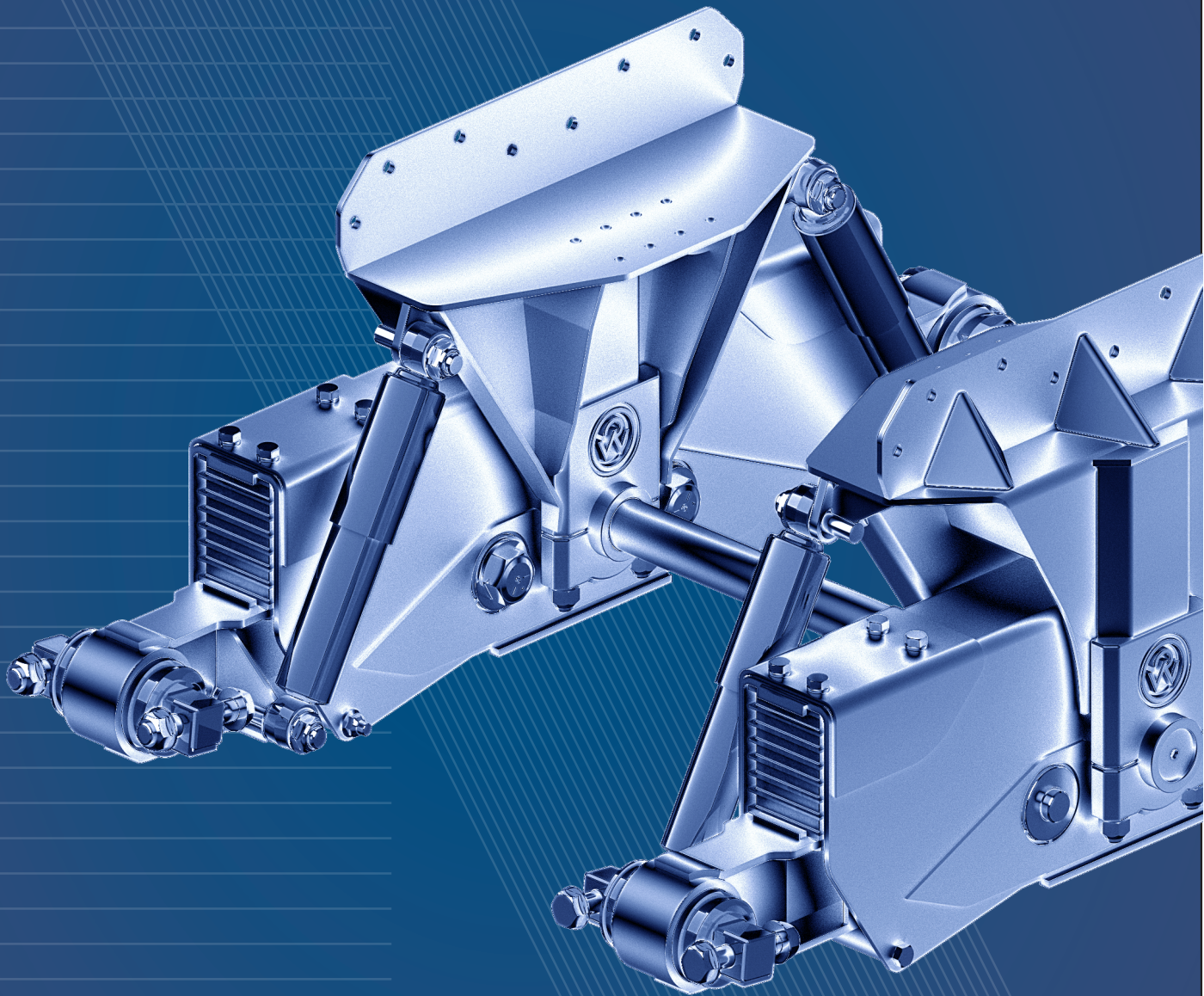
Superior Ride Characteristics

4 Corner Independent Suspension

Ideal for Refuse, Fire, Logging and Crane

"Best in Class" Articulation, Traction and Stability





[www.ridewellcorp.com](http://www.ridewellcorp.com)