



RAR-244

16K Trailer Air-Ride Suspension



www.ridewellcorp.com

RAR-244

Application

Hot Shot Trailers

Features

16K Suspension Capacity

Integrated Height Control Valve

For use with 10k, 12k, 15k, 16k
Electric/Hydraulic Brake Axles

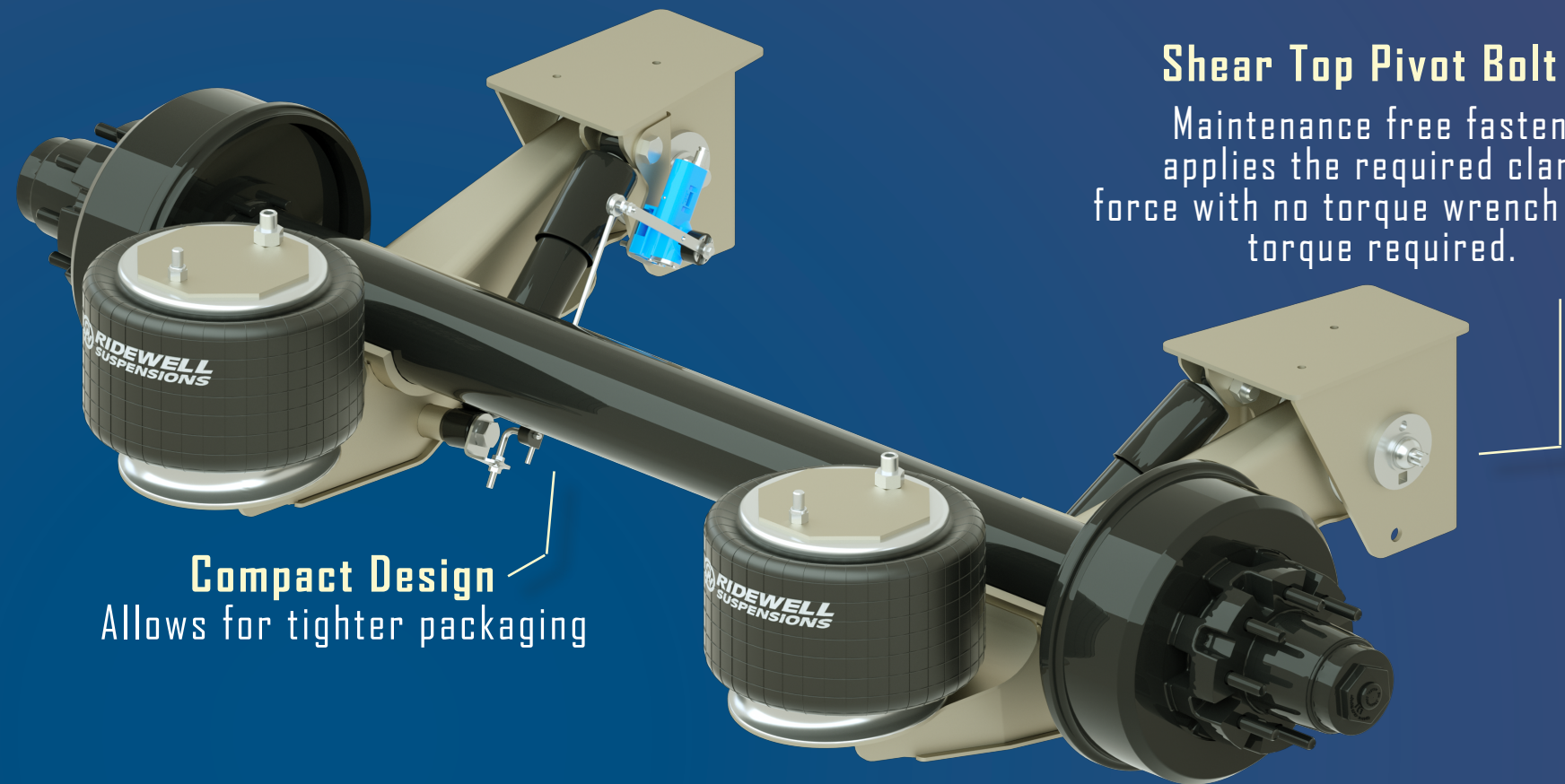
Built in Lift Kit Provisions

Turn Key Compressor Kit

Increased Up Travel

Weight Savings

75lbs lighter than previous models



Compact Design
Allows for tighter packaging

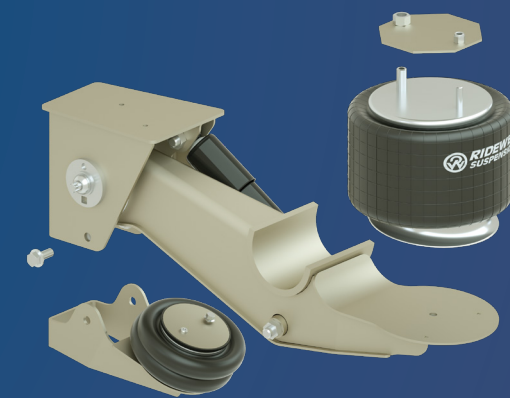
Shear Top Pivot Bolt

Maintenance free fastener
applies the required clamp
force with no torque wrench or re-
torque required.



Air Compressor Kit

Features include:
3/4 Horse Compressor
Water Separator
Schrader Valve
Volt Meter
Vibration Damper
Lo-flo Height Control Valve
Preplumbed and Prewired



Bolt on Lift Kit

Self locating
Eliminates Welding
Reduces installation
time and costs