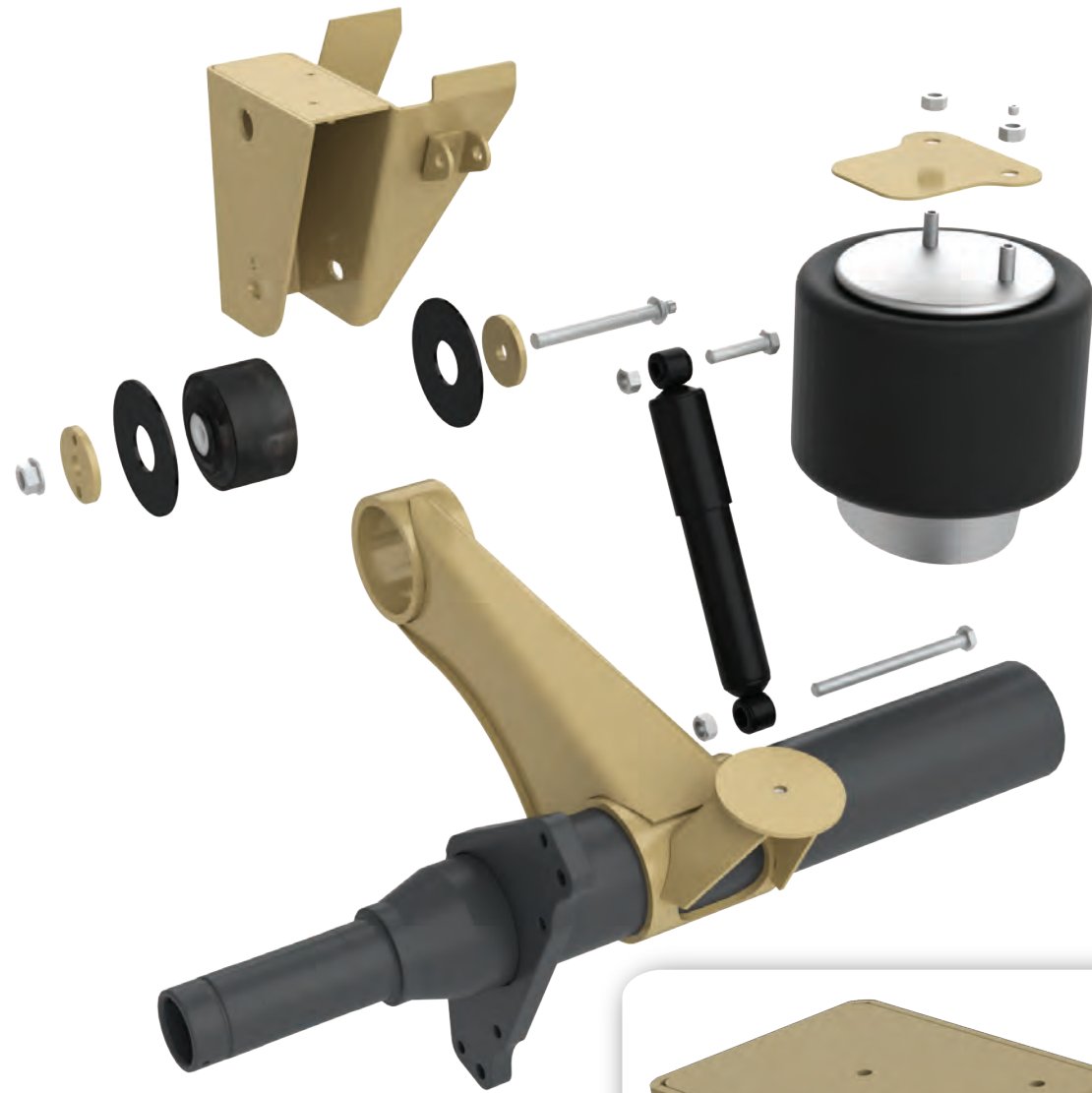


Shown: RAR-266 Narrow Bushing Overslung



Speed Set® Axle Alignment System

This simple alignment feature is quick and easy. Axle Alignment adjustment capability +/- .25" at hanger.



**RIDEWELL
SUSPENSIONS**

RAR-266 Trailer Air-Ride Suspensions

*Lightweight system consisting of large diameter axle with integrated suspension
Optimum balance of weight & performance*



Narrow Bushing Shown

RAR-266 Overslung

23,000 lb Capacity - Narrow Bushing
23,000, 25,000 & 30,000 lb Capacities - Wide Bushing
12" - 20" ride height range



Narrow Bushing Shown

RAR-266 Low Mount

20,000 lb Capacity - Narrow Bushing
7" and 9" ride height range
25,000 lb Capacity - Wide Bushing
6.5" - 9.5" ride height range



RAR-266 Trailer Air-Ride Suspension

Shear-Type Pivot Bolt

Simple to install, this high strength fastener automatically applies the required clamping force - no torque wrench or re-torque required.



Premium Rubber Bushing

Superior performance at the critical pivot connection with our solid rubber narrow bushing or industry standard multi-functional wide bushing.



Narrow

Wide

Additional Features:

- Weld-On or Bolt-On mounting available
- Lift Kit available
- Integrated height control valve kit available
- Integrated shock absorber mounting
- Galvanized hanger available

Lightweight Air Spring

With composite piston and bumper.

Optional Disc Brakes

Drum brakes standard with enclosed short cams.

Captured Axle Connection

Trailing arms attached to window-weld sleeve for a low-stress axle connection.

