

RAR-254

Air-Ride Single Point Suspension



RAR-254
50,000 lb Capacity

Weld-on pedestal mounts for trunnion height customization

Increased ride comfort versus a leaf spring suspension

Fully assembled with integrated axle option

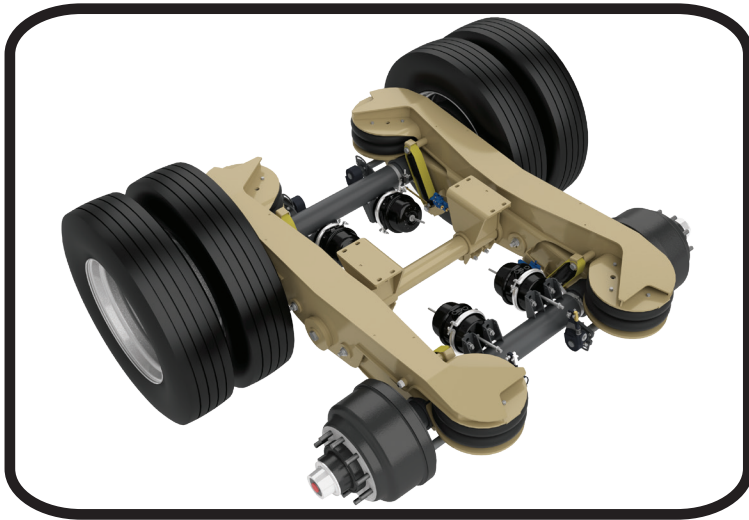
Low maintenance urethane center bushing

Primarily designed for end dump and logging applications



RAR-254

Air-Ride Single Point Suspension



Lightweight

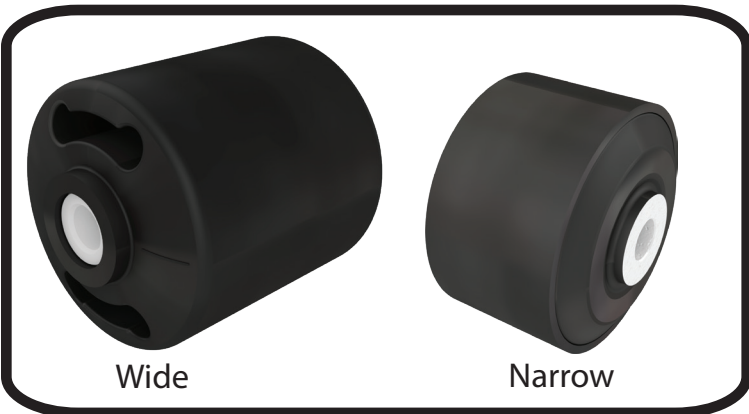
Narrow Bushing

10" - 11" Ride Height Range

Heavy Duty

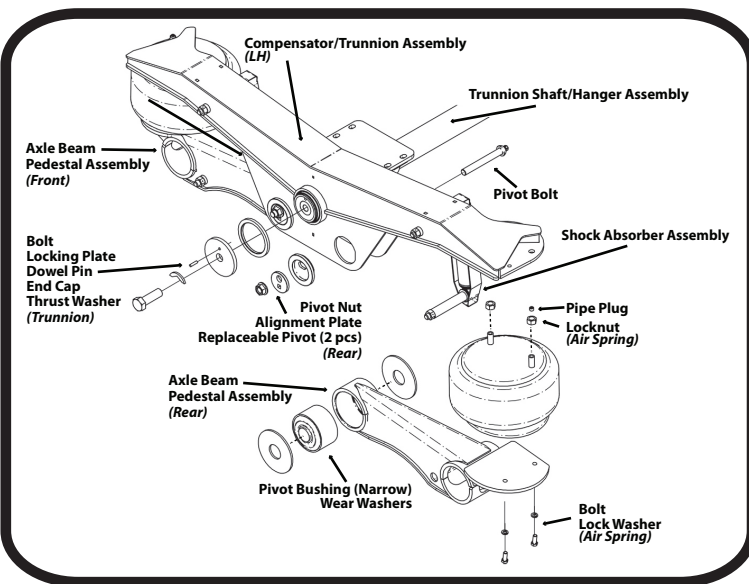
Wide Bushing

10" Ride Height



Solid Rubber Bushing

Narrow bushing and wide bushing versions available.



Lower Maintenance

Trunnion assembly utilizes high density urethane bushing and provides a replaceable pivot boss for lower maintenance.



RIDEWELL
SUSPENSIONS

P.O. Box 4586 ♦ Springfield, Missouri 65808

www.ridewellcorp.com ♦ 800.641.4122 ♦ Fax 417.833.4560