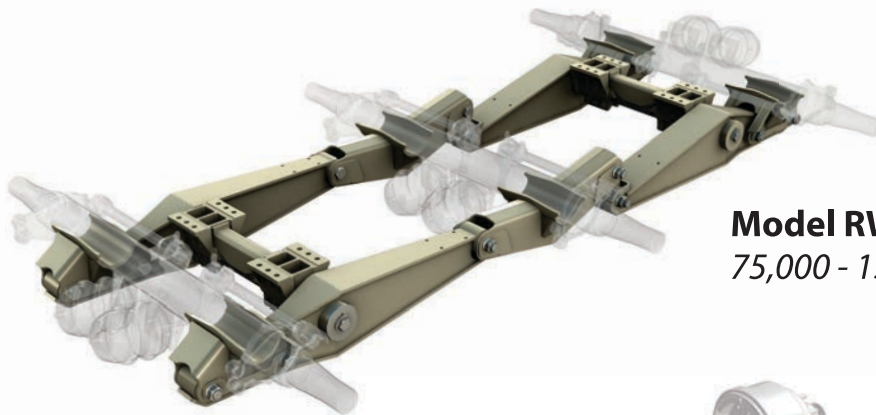


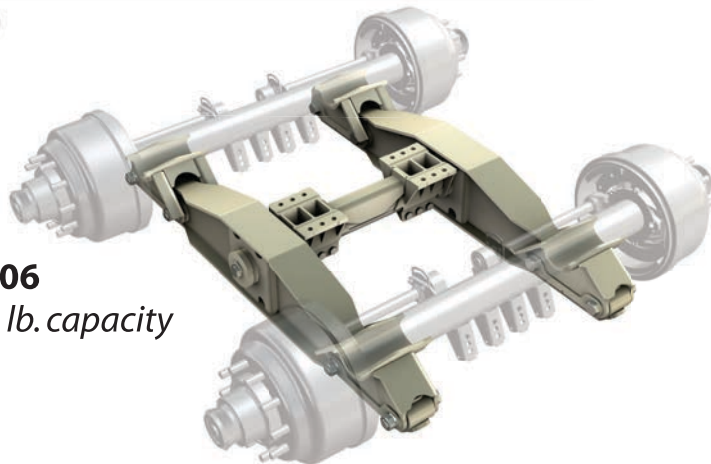
RWB *(Rigid Walking Beam)* **Trailer Suspensions**

For severe duty applications

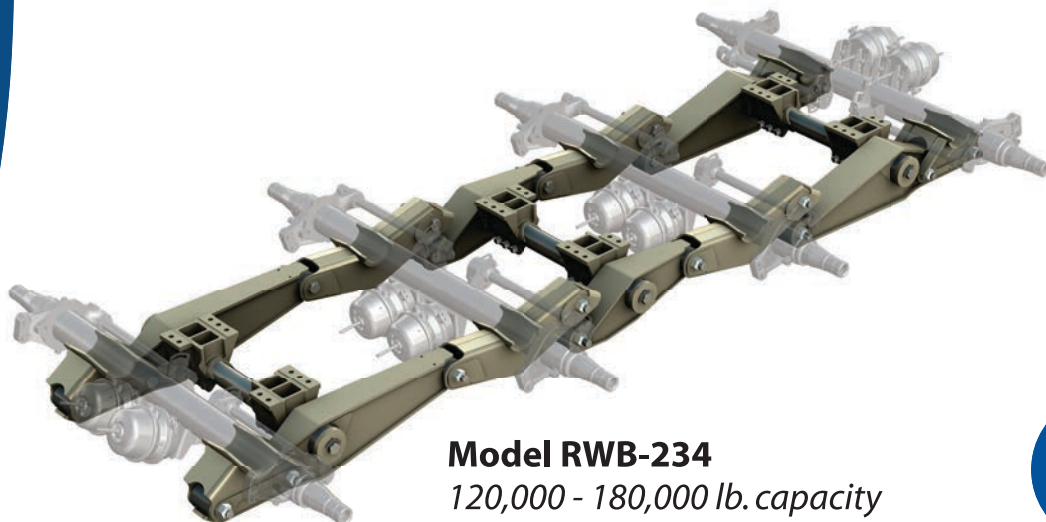
Individually adjustable axle seats for accurate alignment



Model RWB-300
75,000 - 135,000 lb. capacity



Model RWB-206
50,000 - 90,000 lb. capacity



Model RWB-234
120,000 - 180,000 lb. capacity



RWB

Rigid Walking Beam Trailer Suspensions

RWB-206, RWB-300, RWB-234

For 5" & 5¾" round axles

High stability

All urethane bushings - no lubrication required

Individually adjustable axle seats for accurate alignment:

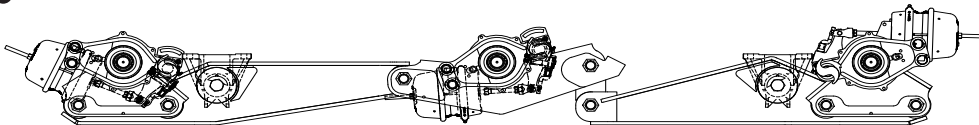
.36" total forward & rearward adjustment

High-strength steel construction for severe duty applications

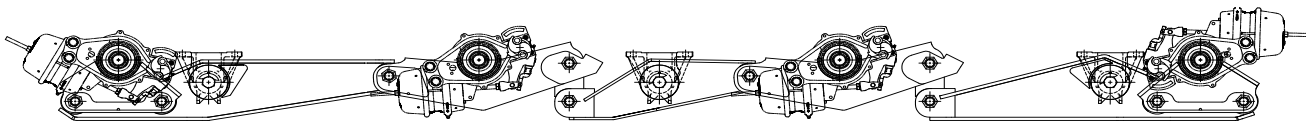
Available in capacities up to 180,000 lbs.

Available in various axle spacings & beam centers

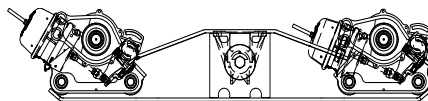
RWB-300



RWB-234



RWB-206



P.O. Box 4586 ♦ Springfield, Missouri 65808

www.ridewellcorp.com ♦ 800.641.4122 ♦ Fax 417.833.4560