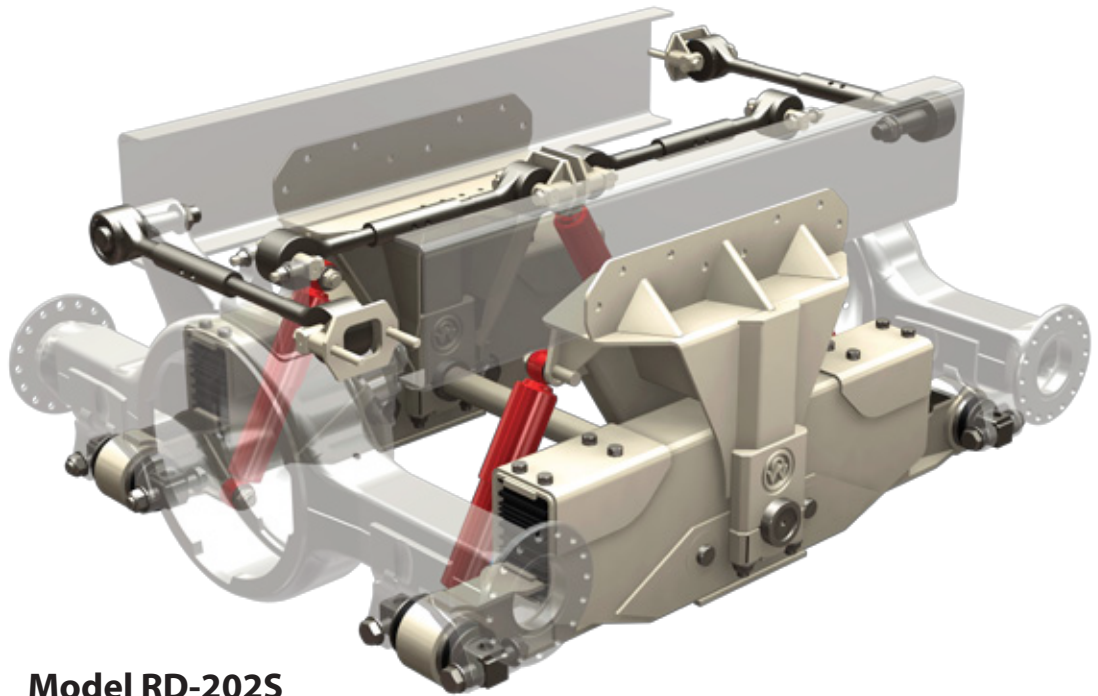


RD-202S for trucks **Heavy-Duty Tandem Drive Suspension**



Model RD-202S

The most durable suspension on the market.

For severe service applications including refuse, military, firefighting, logging, and construction

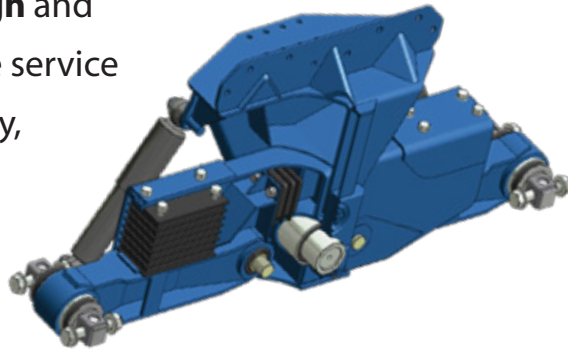
38,000 - 75,000 lb. capacity



Dynalastic™ 202S

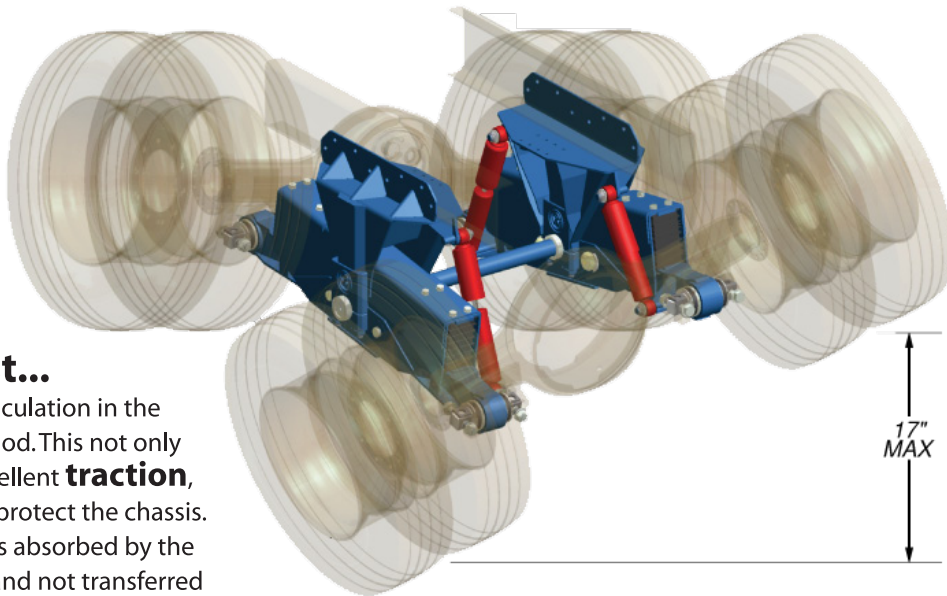
Heavy-Duty Tandem Drive Truck Suspension

The **Dynalastic 202S** is a **tough** and **durable** suspension for severe service applications like refuse, military, firefighting, logging, and construction. The independently articulating corners improve **traction**, ride **stability**, and **safety**. Add in **low-maintenance** bushings and a customizable ride quality and this **flexible** suspension really is the **best** in the industry, period.



The Best...

Severe service design in the industry, period. Independently articulating beams and custom load springs provide optimal **performance** and superior ride.



The Best...

Diagonal articulation in the industry, period. This not only provides excellent **traction**, it also helps protect the chassis. Road shock is absorbed by the suspension and not transferred to the vehicle.

The Best...

Durability in the industry, period. Ridewell's robust **design** minimizes maintenance and maximizes the life of the suspension and chassis.



P.O. Box 4586 ♦ Springfield, Missouri 65808

www.ridewellcorp.com ♦ 800.641.4122 ♦ Fax 417.833.4560