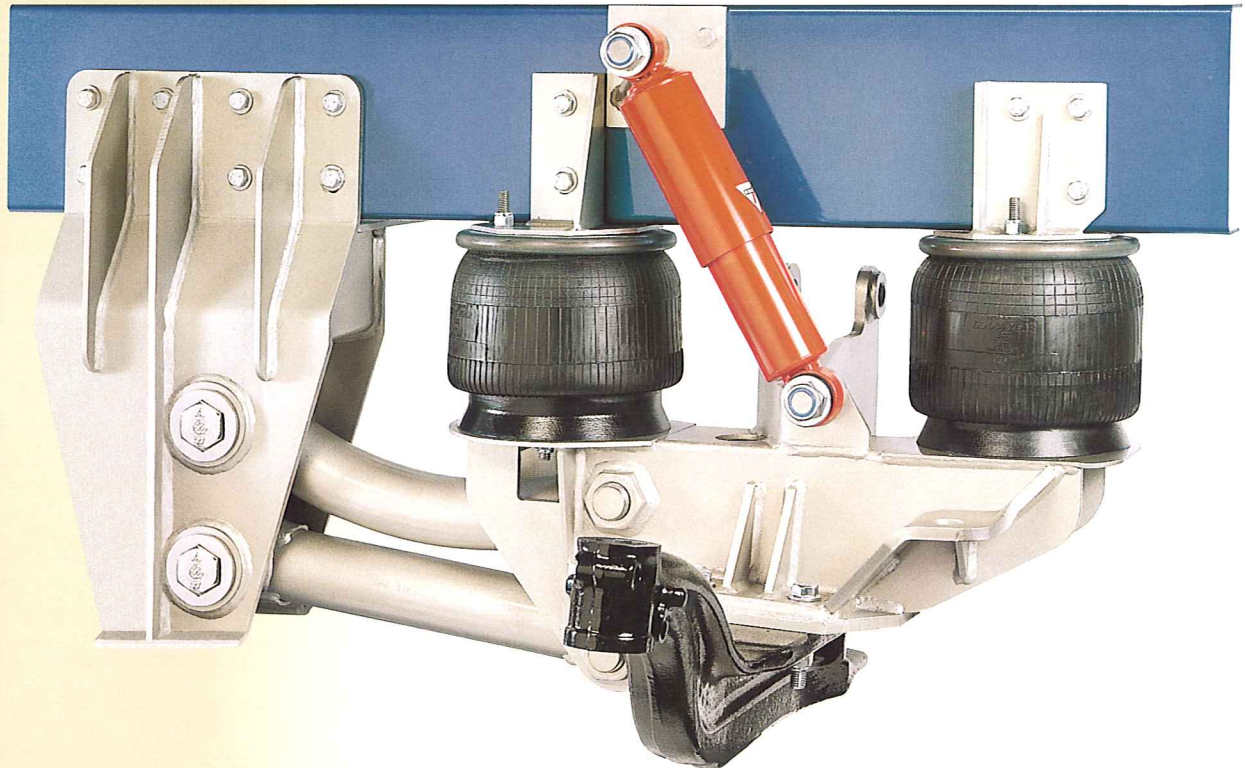




**RIDEWELL  
SUSPENSIONS**

## Mod. RAS-227 100% Air Parallelogram Steer Axle Suspension

*For Bus, R.V. and Specialized Applications where the  
ultimate in passenger comfort and safety are desired*

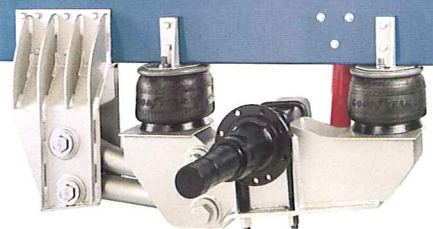


### Consider the advantages of our "Best-Selling Steer Axle Suspension"

- Constant axle pitch and maximum ride stability through advanced parallelogram design
- Floats on (4) air springs for a completely air-cushioned ride
- Simple, manual axle alignment through patented eccentric bolts
- All rubber-bushed pivots for low maintenance
- A proven suspension, progressively refined through use by major OEM's

**Axle capacities: 7,000 - 26,000 lbs.**  
**Warranty: 2-3 year pro-rated**

#### ALSO AVAILABLE

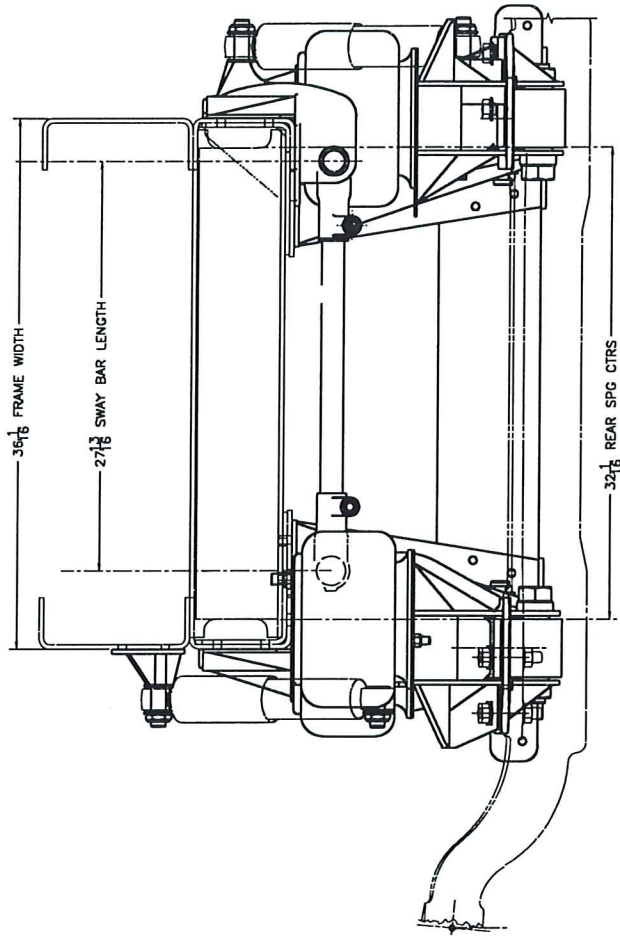
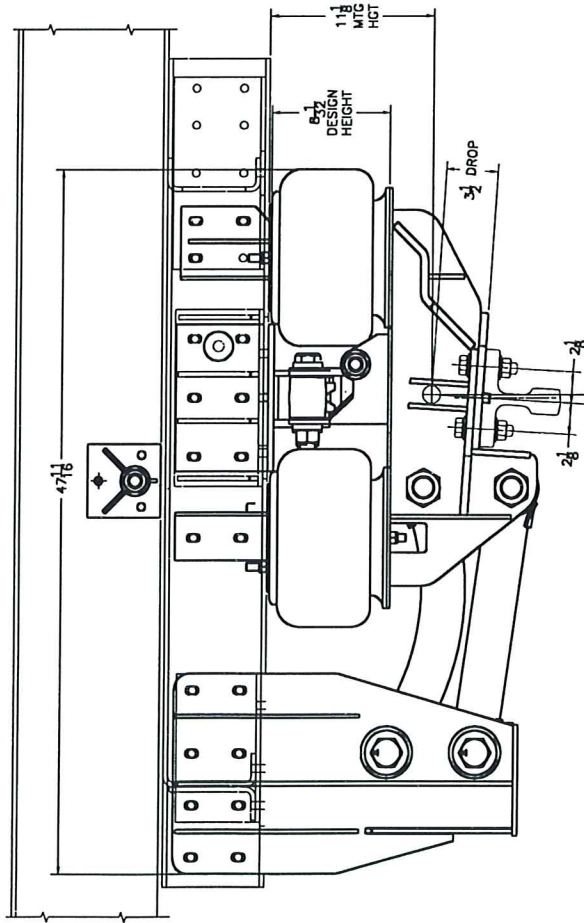


- Ridewell's companion RAD-227 drive axle unit
- Air compressor kits
- Air control kits

Ridewell Corporation • P.O. Box 4586 • Springfield, MO 65808-4586  
800-641-4122 • (417) 833-4565 • Fax: (417) 833-4560 • [www.ridewellcorp.com](http://www.ridewellcorp.com)

# RIDEWELL SUSPENSIONS

P.O. Box 4586 • Springfield, MO 65808-4586  
 800-641-4122 • (417) 833-4565  
 Fax: (417) 833-4560  
 www.ridewellcorp.com



↓ VEHICLE FORWARD . . .

AXLE TRAVEL: 3.188" UP  
 3.500" DOWN

CAPACITY = 16,000 lbs.



**RIDEWELL CORP.**  
 SPRINGFIELD, MO, USA

RAS-27-15

COVERED UNDER EXISTING PATENTS  
 AND PATENTS IN PROGRESS.....

SIZE # **2270026-ADV**